

Article datasheet

Standoff Galvanized Steel M/M AF5.5x6 T1=M3x6 T2=M3x8 w/ UC

Article-No.: 005.21.361

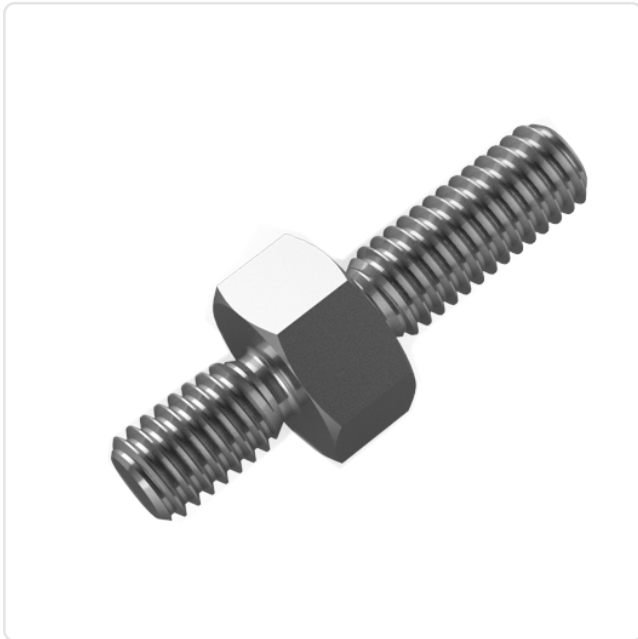
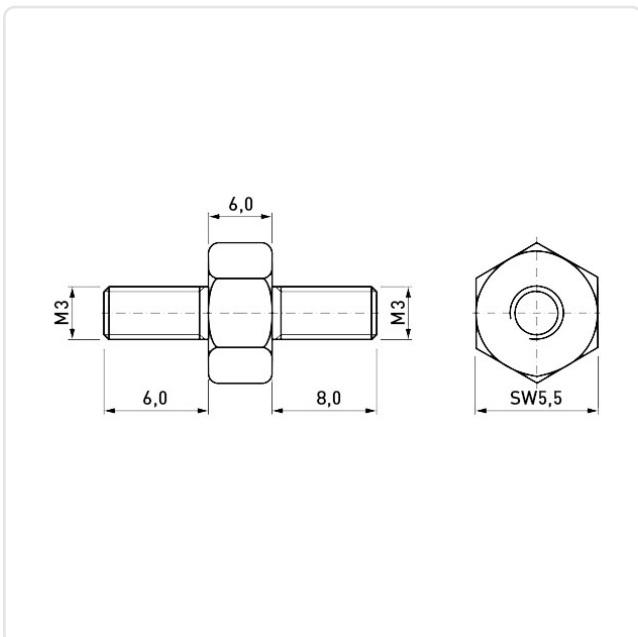


Image may be similar

| | |
|-----------------------|-----------------------------|
| AF / OD [mm]: | 5.5 |
| Finish: | Galvanized, Blue, 5 µm, A2K |
| Length [mm]: | 6 |
| Material: | Steel 11SMnPb30(+C) |
| Material Group: | Steel |
| Profile: | Hexagonal |
| Thread 1 Length [mm]: | 6 |
| Thread 1 Size: | M3 |
| Thread 2 Length [mm]: | 8 |
| Thread 2 Size: | M3 |
| Undercut: | Yes |
| Weight: | 1.54g |
| Conformities: | |



You can find all
information on the web on
our article detail page

Would you like individual advice?

We look forward to your email to products@ettinger.de.

Subject to change and errors.