

Article datasheet

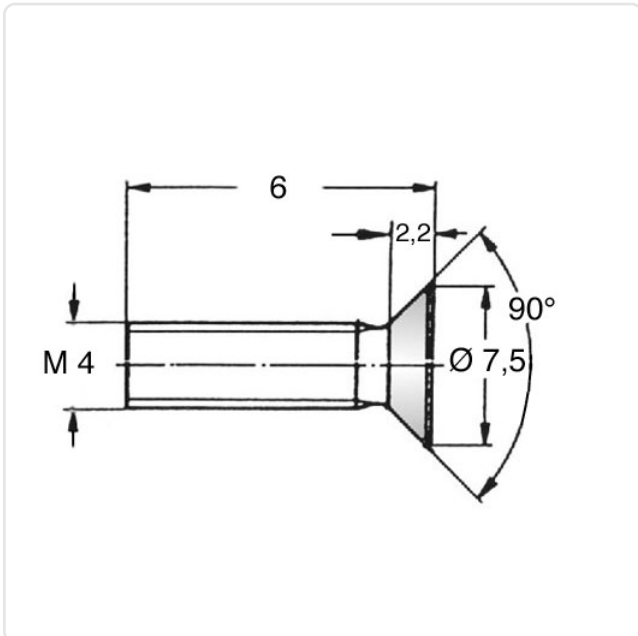
Countersunk Screw ISO7046 M4x6 Galvanized Steel 4.8 Torx

Article-No.: 001.55.421



Image may be similar

Actuator Size:	Torx T20
DIN/ISO:	DIN965 / ISO7046
Drive Type:	TORX
Finish:	Galvanized, Blue, 5 µm, A2K
Head Diameter [mm]:	7.5
Head Height [mm]:	2.2
Head Shape:	Countersunk Head
Length [mm]:	6
Material:	Steel 4.8
Material Group:	Stahl
Thread Size:	M4
Weight:	0.66g
Conformities:	



You can find all
information on the web on
our article detail page

Would you like individual advice?

We look forward to your email to products@ettinger.de.

Subject to change and errors.