

Article datasheet

Hole Plugs with Truss Head / with Base Prong

Article-No.: 014.14.131

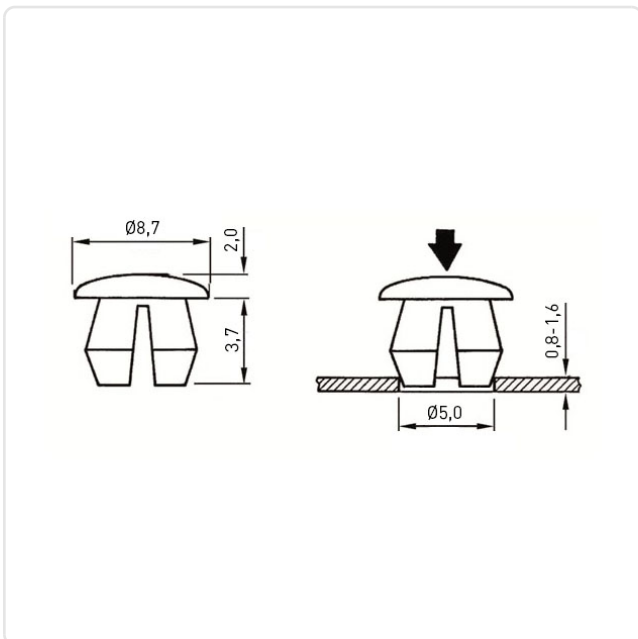


Image may be similar

Color: Natural
Inner Diameter [mm]: 4.8
Material: Polyamide 6.6 - UL94 V-2
Material Group: Kunststoff
Model: Hole Plug
Outer Diameter [mm]: 8.7
Weight: 0.18g
Conformities:



You can find all
information on the web on
our article detail page



Would you like individual advice?

We look forward to your email to products@ettinger.de.

Subject to change and errors.