

Article datasheet

## Power-Element M5/8-pole Brass,tinned 10A/pin 6.5mm pins

Article-No.: 013.45.465

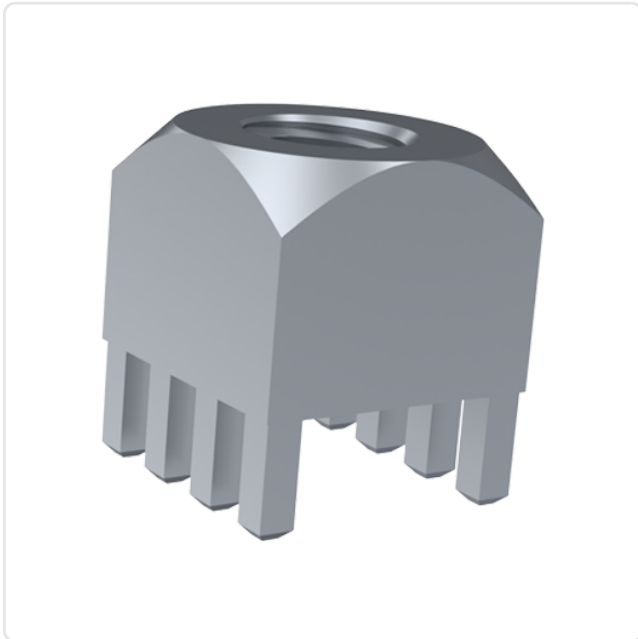
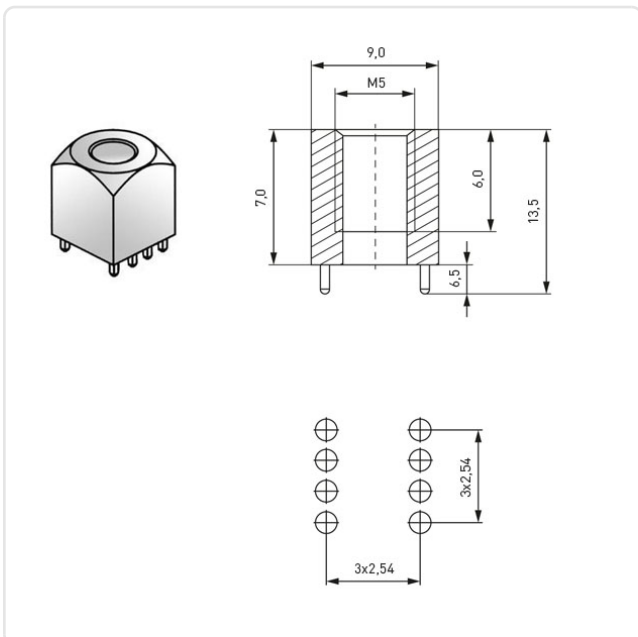


Image may be similar

Amperage [A]: 80  
Finish: Tin-Plated  
Grid [mm]: 2.54  
Material: Brass  
Material Group: Brass  
PCB Hole Ø [mm]: 1.65  
Thread Size: M5  
Weight: 4.05g  
Conformities:



You can find all information on the web on our article detail page



Would you like individual advice?

We look forward to your email to [products@ettinger.de](mailto:products@ettinger.de).

Subject to change and errors.