

Article datasheet

## Micro Wire Saddle 9.1x7.7mm $\varnothing$ 3.5mm Polyamide 6.6 nat. UL94-V2 E70062

Article-No.: 072.78.446

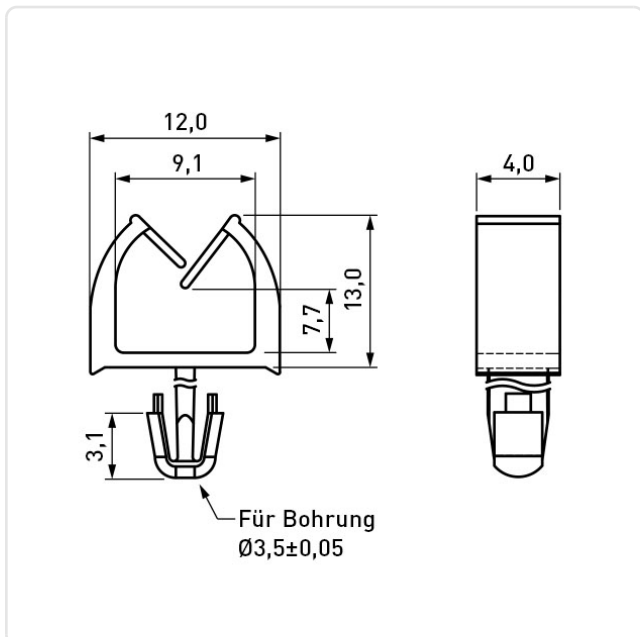


Image may be similar

Bundle Diameter [mm]: 4,0-9,0  
Color: Natural  
Height [mm]: 13  
Material: Polyamide 6.0 25% GF  
Mounting Hole [mm]: 3.5  
Panel Thickness [mm]: 1,6 mm  
Width [mm]: 12  
Weight: 0.23g  
Conformities:



You can find all information on the web on our article detail page



Would you like individual advice?

We look forward to your email to [products@ettinger.de](mailto:products@ettinger.de).

Subject to change and errors.