

Article datasheet

## Carrying-Handle 190/161x20mm PVC casing with steel spring inside

Article-No.: 029.04.190

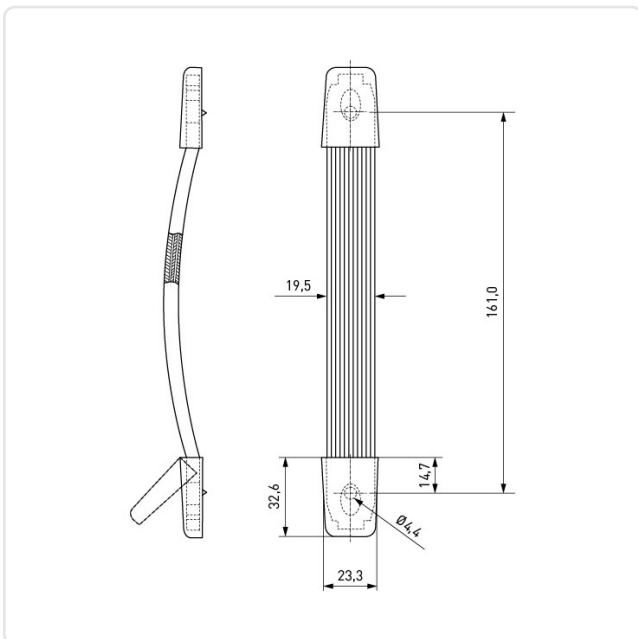


Image may be similar

Color: Black  
Dist. Mounting Holes [mm]: 161  
Finish: Nickel-Plated, 3 µm, E1E  
Material: Steel  
Material Group: Stahl  
Model: Carrying Handle  
Thread Size: M4  
Weight: 43.76g  
Conformities:



You can find all information on the web on our article detail page



Would you like individual advice?

We look forward to your email to [products@ettinger.de](mailto:products@ettinger.de).

Subject to change and errors.