

Article datasheet

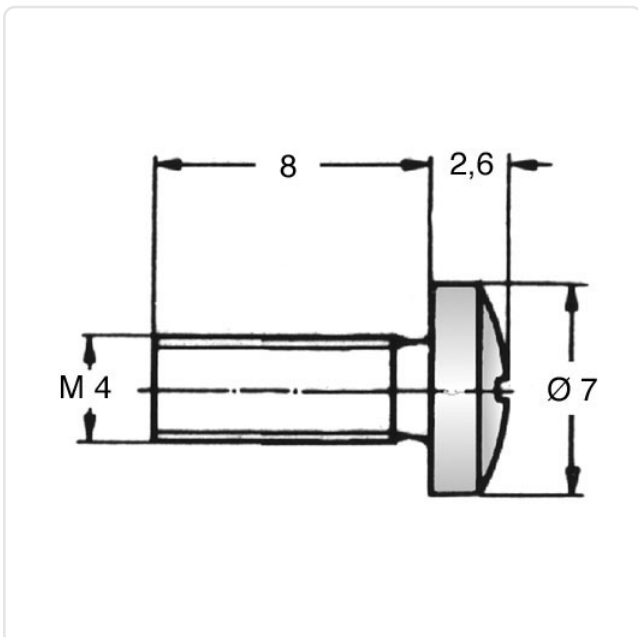
Flat Head Screw ISO14583 M4x8 Galvanized Steel 4.8 C/R small Pan Head

Article-No.: 001.77.431



Image may be similar

Actuator Size:	Phillips PH2
DIN/ISO:	ISO7048
Drive Type:	Cross Recess / Phillips-H
Finish:	Galvanized, Blue, 5 µm, A2K
Head Diameter [mm]:	7
Head Height [mm]:	2.6
Head Shape:	Pan Head
Length [mm]:	8
Material:	Steel 4.8
Material Group:	Steel
Thread Size:	M4
Weight:	1.21g
Conformities:	



You can find all
information on the web on
our article detail page

Would you like individual advice?

We look forward to your email to products@ettinger.de.

Subject to change and errors.