

Article datasheet

Receptacle Fast On 6.3x0.8mm 1.5-2.5mm² Brass tinned DIN 46346 A6.3-2.5

Article-No.: 012.68.845

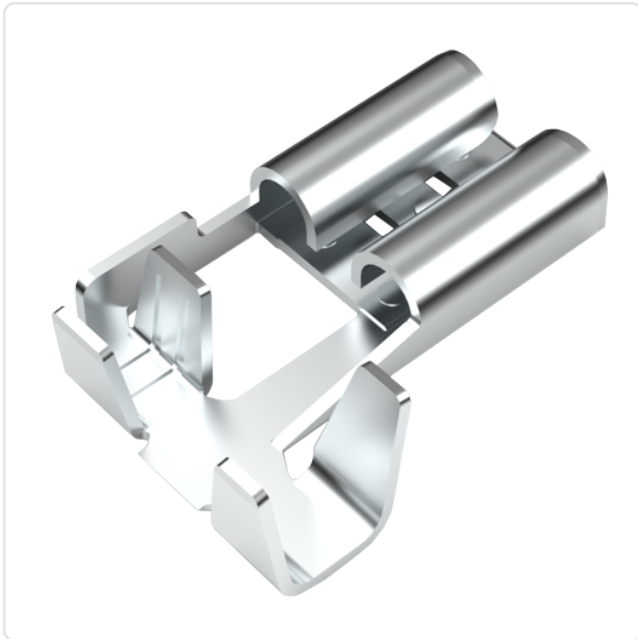
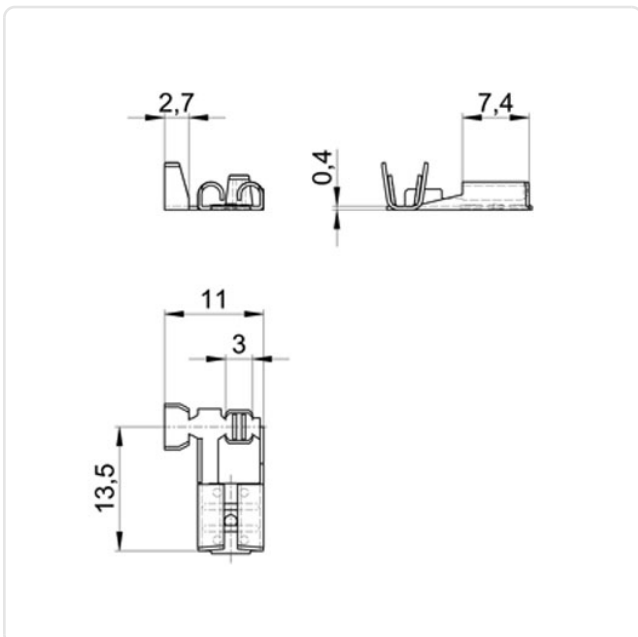


Image may be similar

| | |
|--|------------|
| DIN/ISO: | DIN46346A |
| Finish: | Tin-Plated |
| Length [mm]: | 13.5 |
| Material: | Brass |
| Material Group: | Brass |
| Size [mm]: | 6.3x0.8 |
| Wire Cross Section [mm ²]: | 1.0-2.5 |
| Weight: | 0.82g |
| Conformities: | |



You can find all information on the web on our article detail page



Would you like individual advice?

We look forward to your email to products@ettinger.de.

Subject to change and errors.