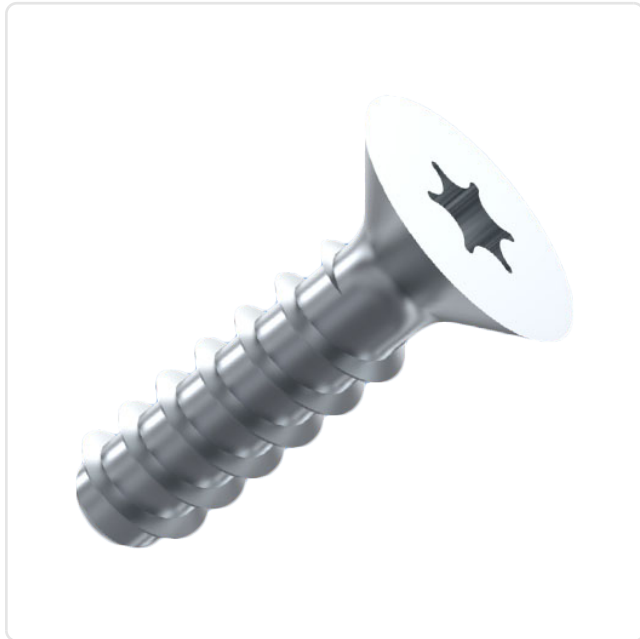


Article datasheet

## Self-Tapping Screw for Plastic 3x12 PT A2 Plain ST STL Torx Countersunk

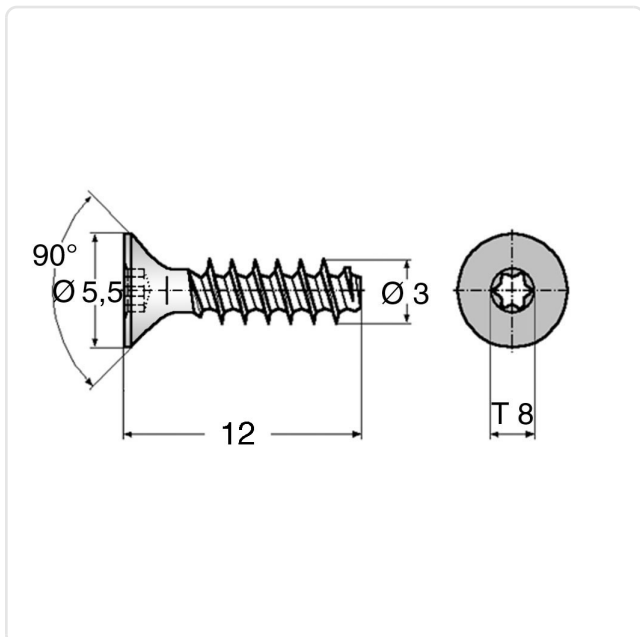
Article-No.: 001.92.358



Actuator Size:	Torx T8
Drive Type:	TORX
Finish:	Plain
Head Diameter [mm]:	5.5
Head Height [mm]:	2.05
Head Shape:	Countersunk Head
Length [mm]:	12
Material:	Stainless Steel AISI 304 / A2
Material Group:	Stainless Steel
Thread Diameter [mm]:	Ø 3.0
Thread Type:	PT Thread
Weight:	0.45g
Conformities:	



Image may be similar



You can find all  
information on the web on  
our article detail page

Would you like individual advice?

We look forward to your email to [products@ettinger.de](mailto:products@ettinger.de).

Subject to change and errors.