

Article datasheet

Lock Washer Ø13.0/18.0 x 1.1 Nickel-Plated Spring St

Article-No.: 003.04.123

Manufacturer: SCHNORR

Manufacturer article-no.: 426900

SCHNORR
DISC SPRING ENGINEERING

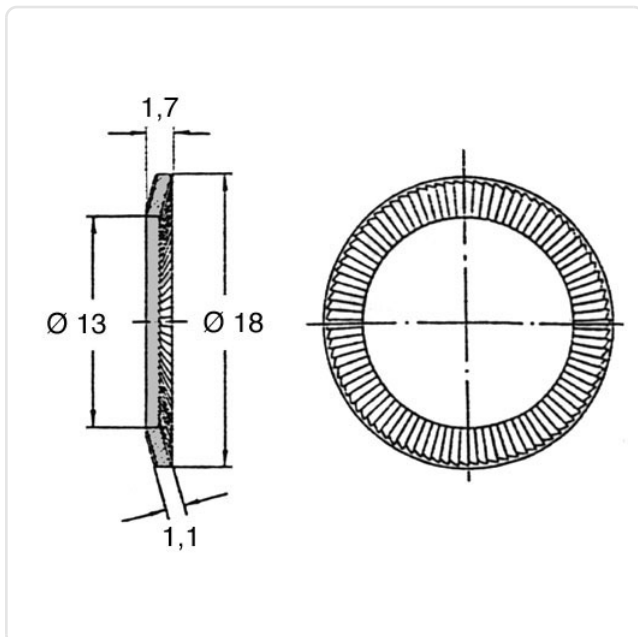


Image may be similar

Finish: Nickel-Plated, 3 µm, E1E
For Thread Size: M12
Height [mm]: 1.1
Inner Diameter [mm]: 13
Material: Spring Steel
Material Group: Steel
Outer Diameter [mm]: 18
Weight: 0.82g
Conformities:



You can find all information on the web on our article detail page



Would you like individual advice?

We look forward to your email to products@ettinger.de.

Subject to change and errors.