

Article datasheet

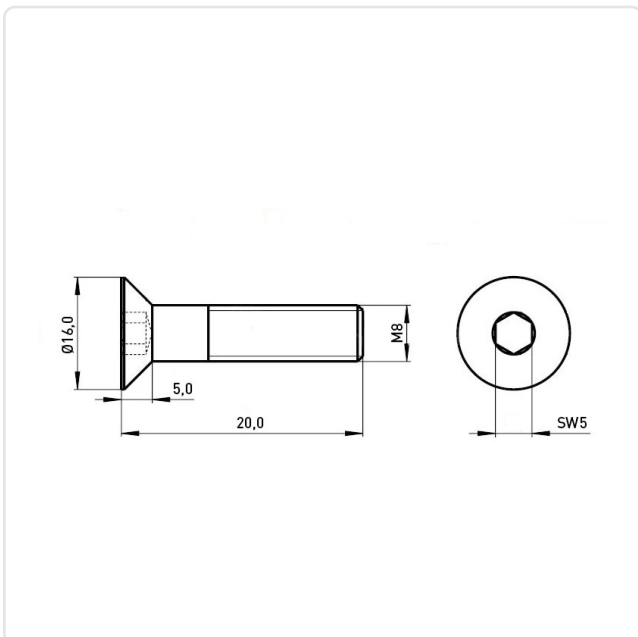
## Countersunk Screw ISO10642 M8x20 A2 Plain Stainless Steel Hexagon Socket

Article-No.: 001.19.872



Image may be similar

Actuator Size:	Hexagon Socket Hex5
DIN/ISO:	DIN7991 / ISO10642
Drive Type:	Hexagon Socket
Finish:	Plain
Head Diameter [mm]:	17.92
Head Height [mm]:	4.96
Head Shape:	Countersunk Head
Length [mm]:	20
Material:	Stainless Steel AISI 304 / A2
Material Group:	Stainless Steel
Thread Size:	M8
Weight:	8.39g
Conformities:	



You can find all  
information on the web on  
our article detail page

Would you like individual advice?

We look forward to your email to [products@ettinger.de](mailto:products@ettinger.de).

Subject to change and errors.