

Article datasheet

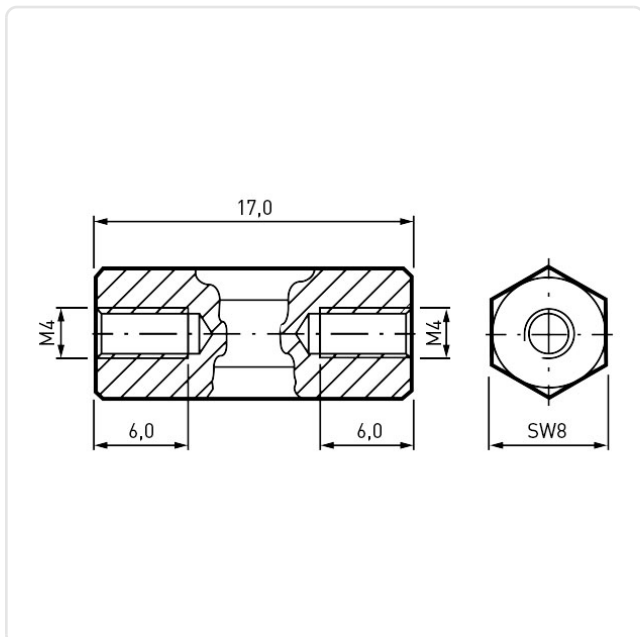
Insulated Standoff PA-Brass F/F AF8x17 | Thread M4x6 / M4x6

Article-No.: 005.57.4170



Image may be similar

AF / OD [mm]:	8
Flammability Class:	UL94-V2
Length [mm]:	17
Material:	PA 6.6
Material Group:	Plastic
Profile:	Hexagonal
Thread 1 Length [mm]:	6
Thread 1 Size:	M4
Thread 2 Length [mm]:	6
Thread 2 Size:	M4
Thread Insert Material:	Brass
Weight:	2g
Conformities:	



You can find all
information on the web on
our article detail page

Would you like individual advice?

We look forward to your email to products@ettinger.de.

Subject to change and errors.