

Article datasheet

## Insulation sleeve $\varnothing 3.1/3.9 \times 3.0$ mm Polyamide 6, natural, UL94-V2

Article-No.: 003.18.036

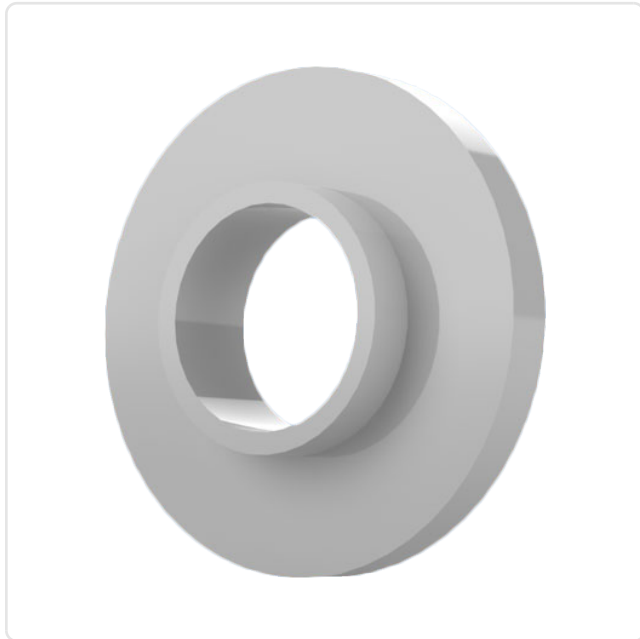
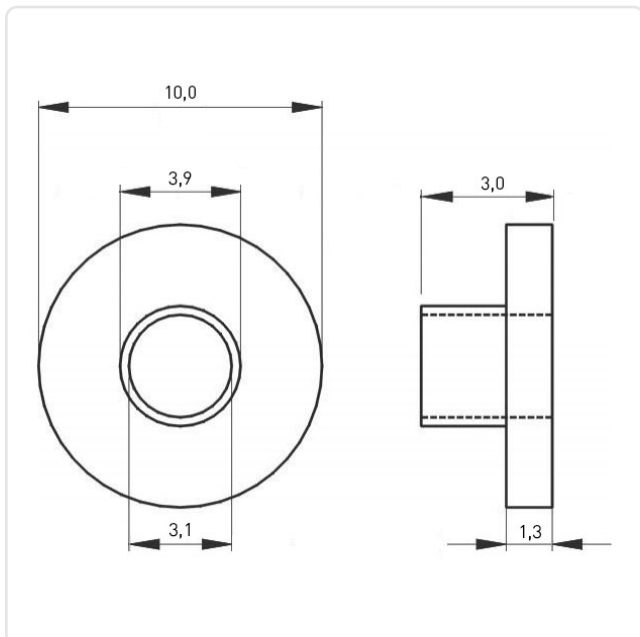


Image may be similar

Color:	Natural
Flammability Class:	UL94-V2
Height [mm]:	3
Inner Diameter [mm]:	3.1
Lug Diameter [mm]:	3.9
Material:	PA 6
Material Group:	Plastic
Model:	With Low Lug
Outer Diameter [mm]:	10
Weight:	0.11g
Conformities:	



You can find all  
information on the web on  
our article detail page



Would you like individual advice?

We look forward to your email to [products@ettinger.de](mailto:products@ettinger.de).

Subject to change and errors.