

Article datasheet

## Long Nut M16 DIN6334 Galvanized Steel AF 24x48 / M16

Article-No.: 002.20.161

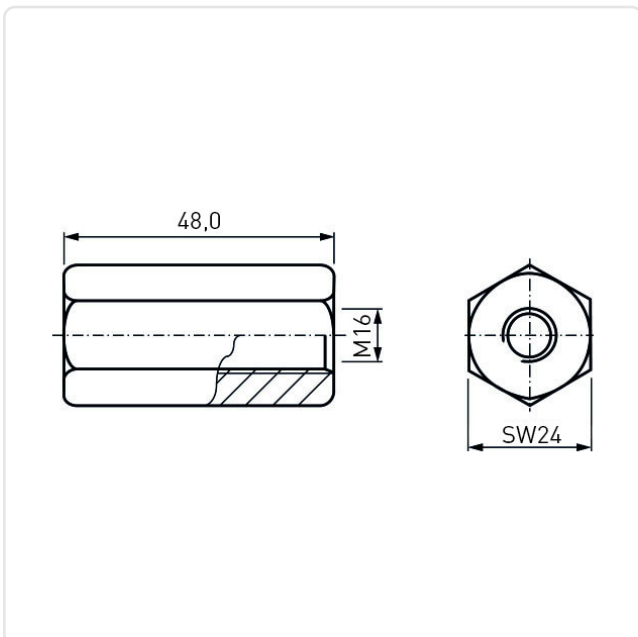


Image may be similar

DIN/ISO: DIN6334  
Finish: Galvanized, Blue, 5 µm, A2K  
Length [mm]: 48  
Material: Steel 11SMnPb30(+C)  
Material Group: Steel  
Thread Size: M16  
Conformities:



You can find all  
information on the web on  
our article detail page



Would you like individual advice?

We look forward to your email to [products@ettinger.de](mailto:products@ettinger.de).

Subject to change and errors.