

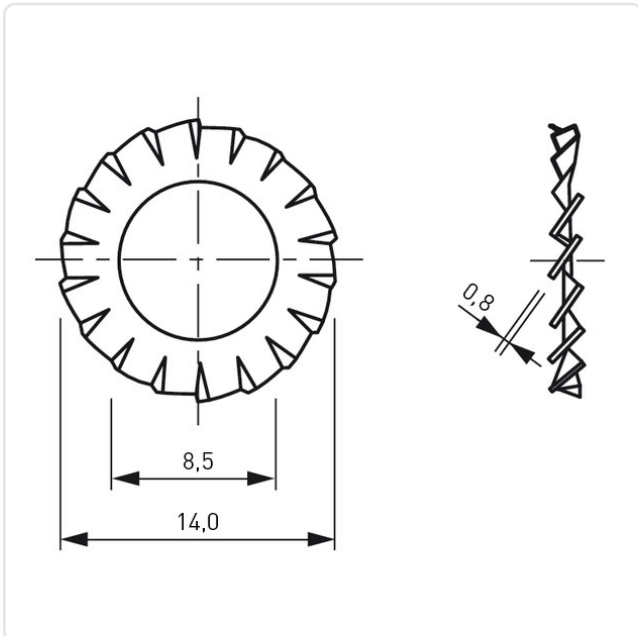
Article datasheet

## Serrated Washer DIN6798 A Ø8.5/14.0 x 0.8 Galvanized Spring Steel

Article-No.: 003.54.081



Image may be similar



DIN/ISO: DIN6798A  
Finish: Galvanized, Blue, 5 µm, A2K  
For Thread Size: M8  
Inner Diameter [mm]: 8.5  
Material: Spring Steel  
Material Group: Steel  
Outer Diameter [mm]: 14  
Weight: 0.53g  
Conformities:



You can find all information on the web on our article detail page

Would you like individual advice?

We look forward to your email to [products@ettinger.de](mailto:products@ettinger.de).

Subject to change and errors.