

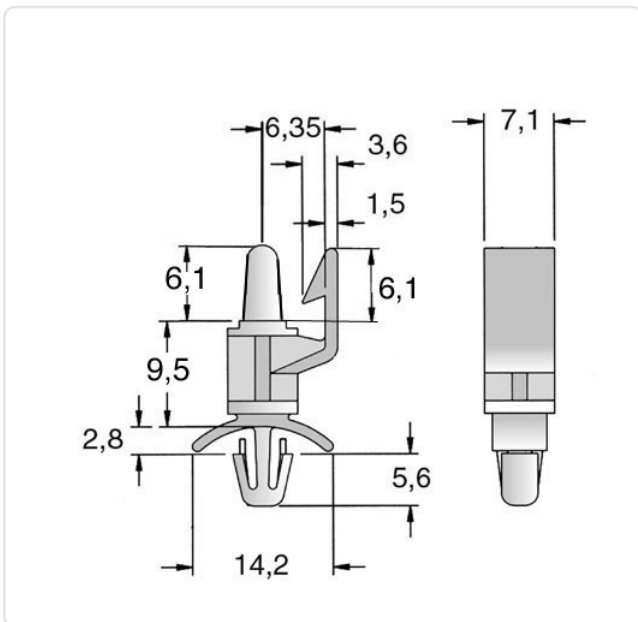
Article datasheet

## PCB Support 9.5 | $\varnothing 4.0$ | $\varnothing 4.8$ Polyamide 6.6 natural

Article-No.: 006.06.726



Image may be similar



Color:	Natural
Flammability Class:	UL94-V2
Length [mm]:	9.5
Material:	PA 6.6 UL94 V-2 E 70062 / RMS01
PCB Hole $\varnothing$ [mm]:	4
PCB Thickness [mm]:	1,6
Panel Hole $\varnothing$ [mm]:	4.8
Panel Thickness [mm]:	0,8-2,0
Weight:	0.67g
Conformities:	



You can find all information on the web on our article detail page

Would you like individual advice?

We look forward to your email to [products@ettinger.de](mailto:products@ettinger.de).

Subject to change and errors.