

Article datasheet

Standoff Nickel-Plated Brass M/M AF10x3 T1=M6x8 T2=M6x18 w/ UC

Article-No.: 005.11.603

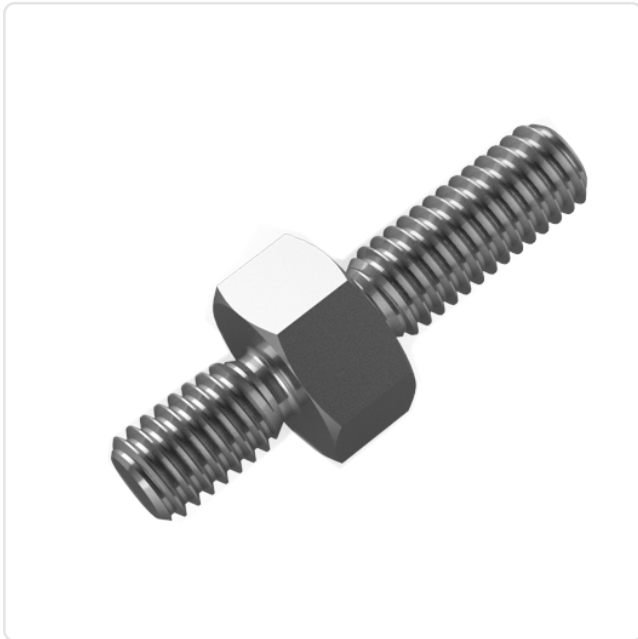
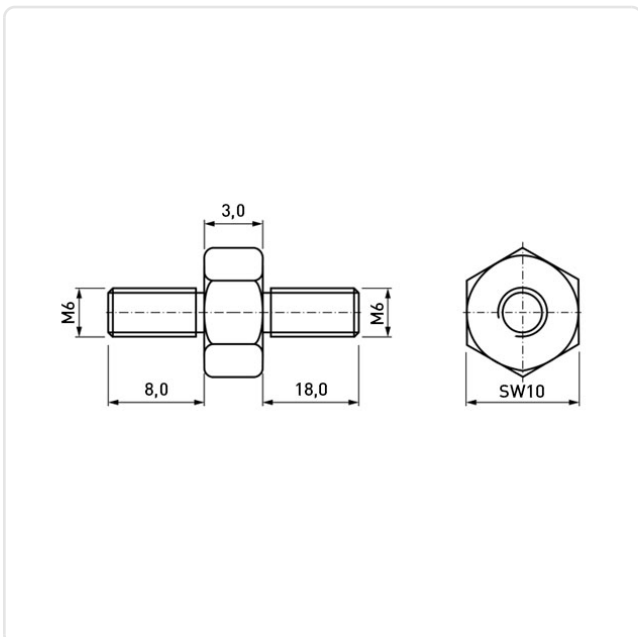


Image may be similar

AF / OD [mm]:	10
Finish:	Nickel-Plated, 3 µm, E1E
Length [mm]:	3
Material:	Brass CuZn39Pb3
Material Group:	Messing
Profile:	Hexagonal
Thread 1 Length [mm]:	8
Thread 1 Size:	M6
Thread 2 Length [mm]:	18
Thread 2 Size:	M6
Undercut:	Yes
Weight:	6.68g
Conformities:	



You can find all
information on the web on
our article detail page

Would you like individual advice?

We look forward to your email to products@ettinger.de.

Subject to change and errors.