

Article datasheet

## PCB Support 12.7 | $\varnothing 4.8$ | $\varnothing 3.3$ Polyamide 6.6 natural

Article-No.: 006.79.212

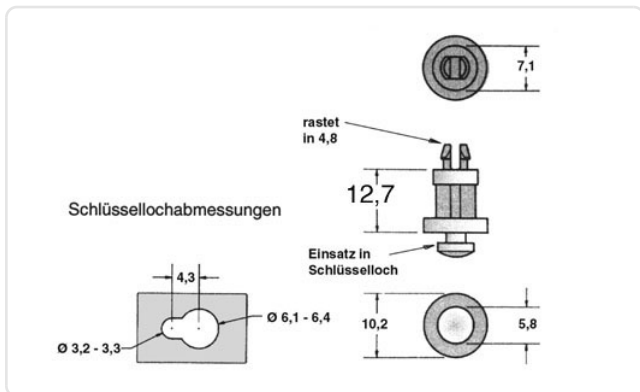


Image may be similar

|                                |                                 |
|--------------------------------|---------------------------------|
| Color:                         | Natural                         |
| Flammability Class:            | UL94-V2                         |
| Length [mm]:                   | 12.7                            |
| Material:                      | PA 6.6 UL94 V-2 E 70062 / RMS01 |
| PCB Hole $\varnothing$ [mm]:   | 4.8                             |
| PCB Thickness [mm]:            | 1,6                             |
| Panel Hole $\varnothing$ [mm]: | 6.4                             |
| Panel Thickness [mm]:          | 1,6                             |
| Conformities:                  |                                 |



You can find all information on the web on our article detail page



Would you like individual advice?

We look forward to your email to [products@ettinger.de](mailto:products@ettinger.de).

Subject to change and errors.