

Article datasheet

## Press Nut M3 | SW5.5x3.0 Galvanized Steel

Article-No.: 002.14.131

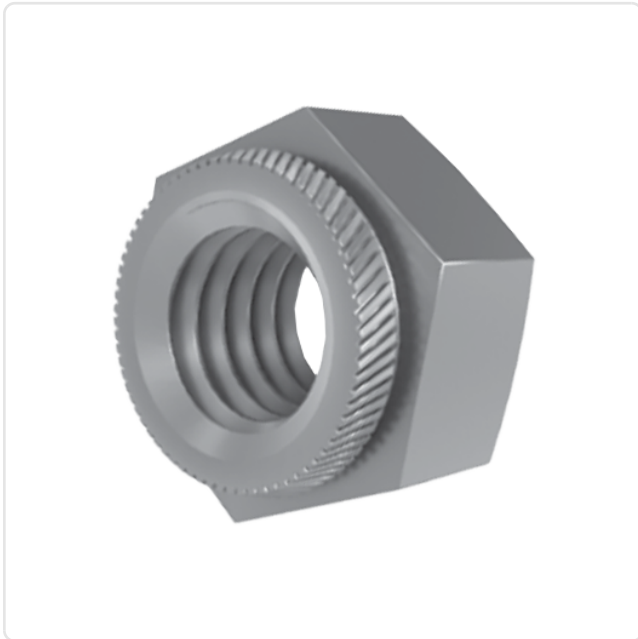





Image may be similar

AF / OD [mm]:	5.5
Finish:	Galvanized, Blue, 5 µm, A2K
Height [mm]:	3
Material:	Steel
Material Group:	Steel
Panel Hole Ø [mm]:	4.5
Panel Thickness [mm]:	1
Thread Size:	M3
Weight:	0.38g
Conformities:	  



You can find all  
information on the web on  
our article detail page

Would you like individual advice?

We look forward to your email to [products@ettinger.de](mailto:products@ettinger.de).

Subject to change and errors.

