

Article datasheet

Cable Lug Pin Type 1.5-2.5mm² Polyamid,blue -55°C/+105°C

Article-No.: 018.54.616

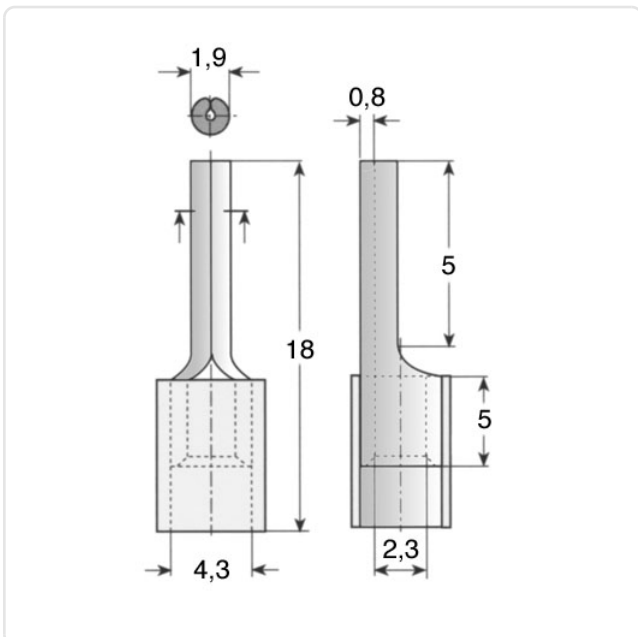


Image may be similar

Color:	Blue
DIN/ISO:	DIN46231-A
Finish:	Tin-Plated
Insulation:	Polyamide
Material:	Electrolyt-Copper
Outer Diameter [mm]:	1.9
Wire Cross Section [mm ²]:	1.5-2.5
Weight:	0.95g
Conformities:	



You can find all information on the web on our article detail page



Would you like individual advice?

We look forward to your email to products@ettinger.de.

Subject to change and errors.