

Article datasheet

## Square Thin Nut DIN562 M3 Nickel-Plated Brass

Article-No.: 002.11.033

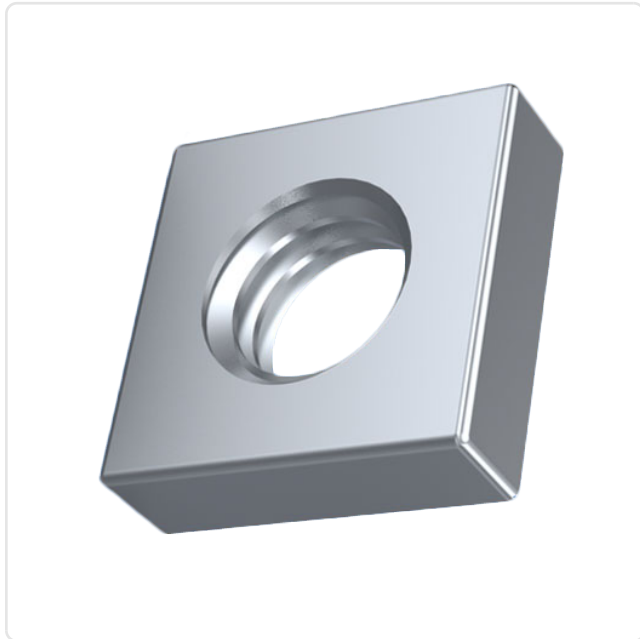
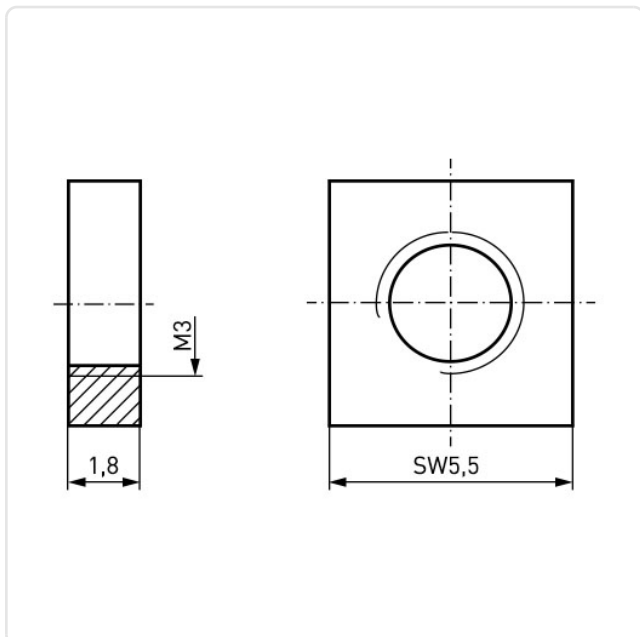


Image may be similar

AF / OD [mm]: 5.5  
DIN/ISO: DIN562  
Finish: Nickel-Plated, 3 µm, E1E  
Height [mm]: 1.8  
Material: Brass CuZn39Pb3  
Thread Size: M3  
Weight: 0.31g  
Conformities:



You can find all  
information on the web on  
our article detail page



Would you like individual advice?

We look forward to your email to [products@ettinger.de](mailto:products@ettinger.de).

Subject to change and errors.