

Article datasheet

Flanged Bearing $\varnothing 10/14/20 \times 10$ -2mm Polyamid 6.6 natural

Article-No.: 005.99.108

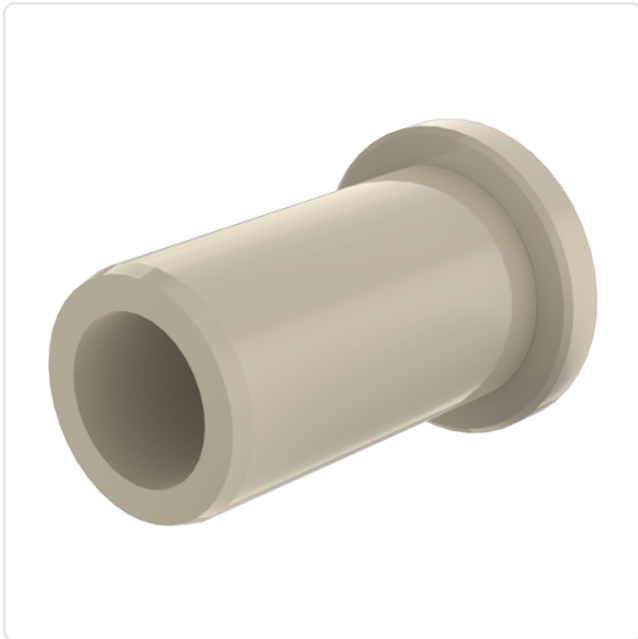


Image may be similar

Color:	Natural
Flammability Class:	UL94-V2
Inner Diameter [mm]:	10
Length [mm]:	10
Lug Diameter [mm]:	14
Material:	Polyamide 6.6
Material Group:	Plastic
Model:	With High Lug
Outer Diameter [mm]:	20
Weight:	1.3g
Conformities:	



You can find all information on the web on our article detail page

Would you like individual advice?

We look forward to your email to products@ettinger.de.

Subject to change and errors.

