

Article datasheet

## PCB Support 9.5 | $\varnothing 4.8$ | $\varnothing 3.3$ Polyamide 6.6 natural

Article-No.: 006.79.209

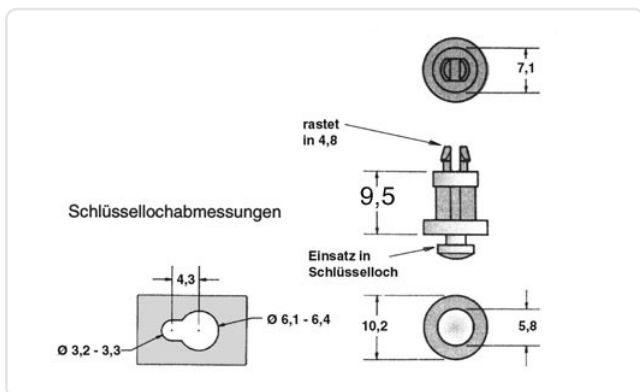


Image may be similar

Color: Natural  
Flammability Class: UL94-V2  
Length [mm]: 9.5  
Material: PA 6.6  
PCB Hole  $\varnothing$  [mm]: 4.8  
PCB Thickness [mm]: 1.6  
Panel Hole  $\varnothing$  [mm]: 6.4  
Panel Thickness [mm]: 1.6  
Conformities:



You can find all information on the web on our article detail page



Would you like individual advice?

We look forward to your email to [products@ettinger.de](mailto:products@ettinger.de).

Subject to change and errors.