

Article datasheet

Cable Clamp Two-Sided Fastening \varnothing 6.0 | Hole \varnothing 2.1 | Nickel-Plated Steel

Article-No.: 014.42.260

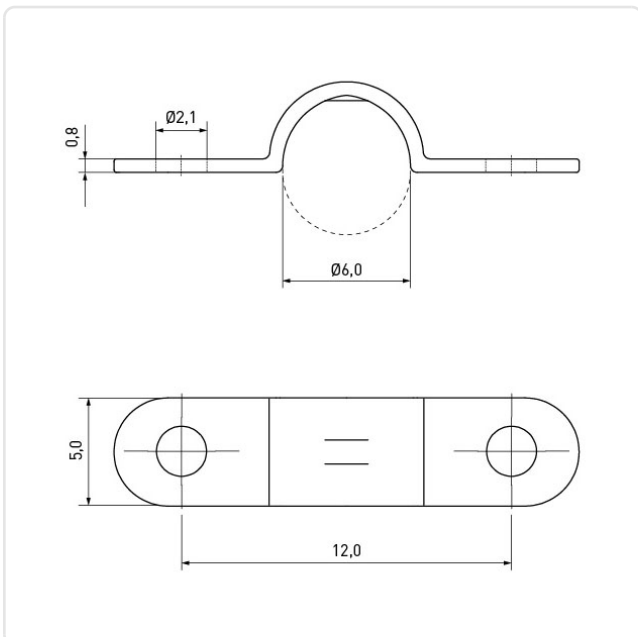


Image may be similar

Bundle Diameter [mm]:	6
Distance Middle/Middle [mm]:	12
Finish:	Nickel-Plated, 3 μ m, E1E
Length [mm]:	17
Material:	Steel
Mounting Hole [mm]:	2.1
Thickness [mm]:	0.8
Width [mm]:	5
Weight:	0.57g
Conformities:	<div style="display: flex; align-items: center; gap: 10px;"> <div style="border: 1px solid black; padding: 2px; font-size: 8px;">SVHC NOT COMPLIANT</div> <div style="font-size: 24px; color: red;">✗</div> <div style="border: 1px solid black; padding: 2px; font-size: 8px; color: green;">Reach COMPLIANT</div> <div style="font-size: 24px; color: green;">✓</div> <div style="border: 1px solid black; padding: 2px; font-size: 8px; color: green;">RoHS COMPLIANT</div> <div style="font-size: 24px; color: green;">✓</div> </div>



You can find all information on the web on our article detail page



Would you like individual advice?

We look forward to your email to products@ettinger.de.

Subject to change and errors.