

Article datasheet

Blade Terminal 6.3x0.8 | \varnothing 3.2 Tin-Plated Brass

Article-No.: 019.68.231

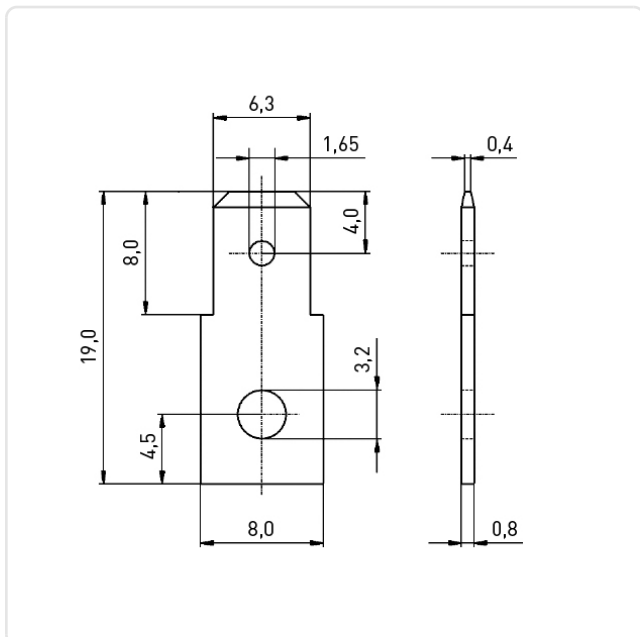


Image may be similar

Bending Angle [°]:	0
Finish:	Tin-Plated
Length [mm]:	19
Material:	Brass
Material Group:	Brass
Mounting Hole [mm]:	3.2
Plug-In Length [mm]:	8
Size [mm]:	6.3x0.8
Tabs:	1
Weight:	0.83g
Conformities:	



You can find all
information on the web on
our article detail page



Would you like individual advice?

We look forward to your email to products@ettinger.de.

Subject to change and errors.