

Article datasheet

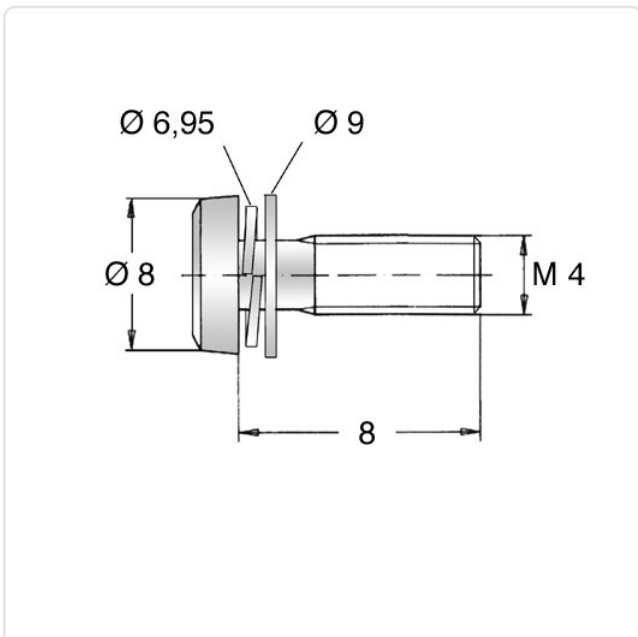
SEMS Screw ISO7045 PZ Z4-1 M4x8 Galv. ST 4.8 Washer + Spring Lock Washer

Article-No.: 081.58.436



Image may be similar

Actuator Size:	Pozidriv PZ2
Combination:	Washer DIN6902-1 and Spring Lock Washer DIN6905
DIN/ISO:	DIN7985 / ISO7045
Drive Type:	Cross Recess / Pozidriv-Z
Finish:	Galvanized, Blue, 5 µm, A2K
Head Diameter [mm]:	8
Head Height [mm]:	3.1
Head Shape:	Pan Head
Length [mm]:	8
Material:	Steel 4.8, lead-free
Thread Size:	M4
Weight:	1.93g
Conformities:	



You can find all information on the web on our article detail page

Would you like individual advice?

We look forward to your email to products@ettinger.de.

Subject to change and errors.