

Article datasheet

## Knurled Nut M7x0.75 Anodized Aluminum

Article-No.: 062.07.107

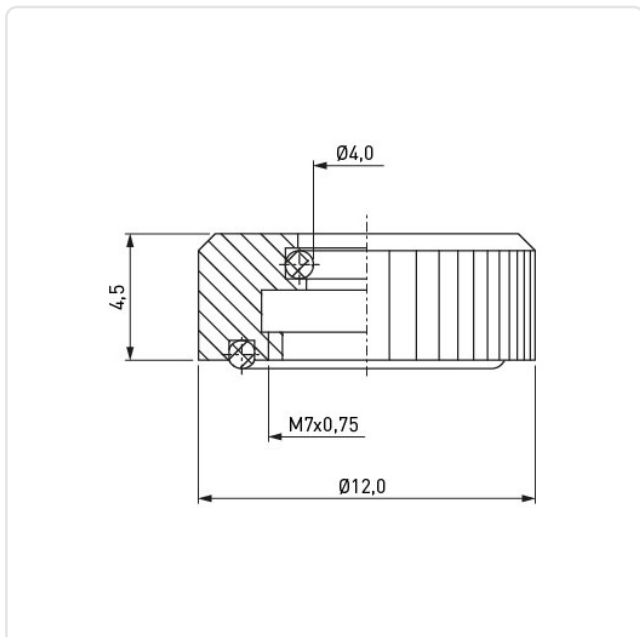


Image may be similar

AF / OD [mm]: 12  
Finish: Anodized, Clear  
Height [mm]: 4.5  
Material: Aluminum EN AW-6060  
Material Group: Aluminum  
Thread Size: M7x0.75  
Weight: 0.92g  
Conformities:



You can find all  
information on the web on  
our article detail page



Would you like individual advice?

We look forward to your email to [products@ettinger.de](mailto:products@ettinger.de).

Subject to change and errors.