

Article datasheet

## Flat Caps for Knobs $\varnothing 16$ ABS black

Article-No.: 050.16.100

Manufacturer: OKW Gehäusesysteme

Manufacturer article-no.: A5016100

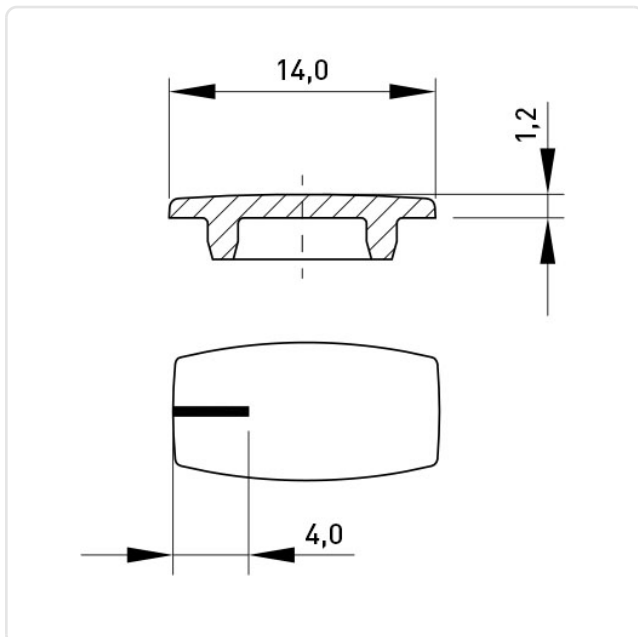


Image may be similar

Color: Black  
Marking: Line  
Material: ABS  
Material Group: Plastic  
Model: Cap for Spindle-Shaped Knob  
Weight: 0.13g  
Conformities:



You can find all  
information on the web on  
our article detail page



Would you like individual advice?

We look forward to your email to [products@ettinger.de](mailto:products@ettinger.de).

Subject to change and errors.