

Article datasheet

Flat Tie Holder for 2.5-3.6/Ø4.8mm Polyamid 6.6,natural/0.8-2.0mm

Article-No.: 072.79.101



Image may be similar

Cable Tie Width max. [mm]: 3.6
Color: Natural
Flammability Class: UL94-V2
Height [mm]: 7.5
Material: Polyamide 6.6
Material Group: Plastic
Model: Plug-In Foot
Weight: 0.36g
Conformities:

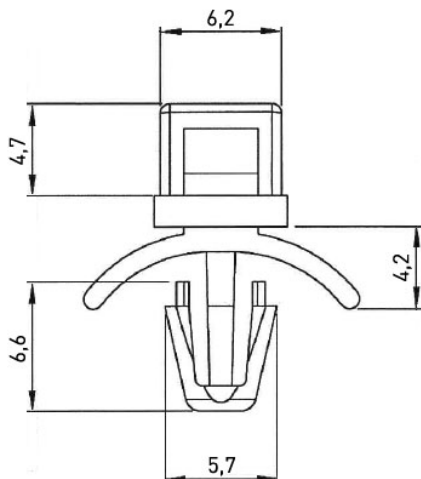


You can find all information on the web on our article detail page

Would you like individual advice?

We look forward to your email to products@ettinger.de.

Subject to change and errors.



schnappt in Loch mit Ø4,8mm
bei 0,8 -2,0mm Dicke