

Article datasheet

Dowel Pin ISO2338 Ø2x10 Plain Steel

Article-No.: 080.00.0210

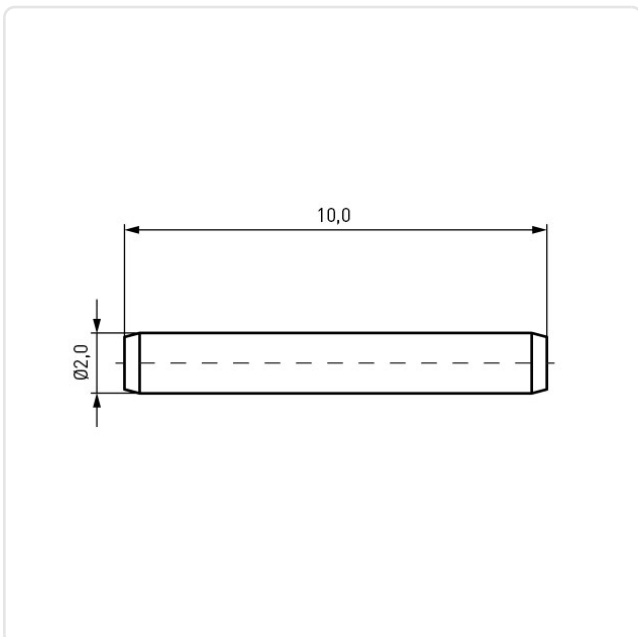


Image may be similar

DIN/ISO: DIN7 / ISO2338
Diameter [mm]: 2
Finish: Plain
Length [mm]: 10
Material: Steel 11SMnPb30(+C)
Material Group: Steel
Weight: 0.27g
Conformities:



You can find all
information on the web on
our article detail page



Would you like individual advice?

We look forward to your email to products@ettinger.de.

Subject to change and errors.