

Article datasheet

## Hexagonal Screw DIN933/ISO4017 M8x16 Galvanized Steel 8.8 Hexagon

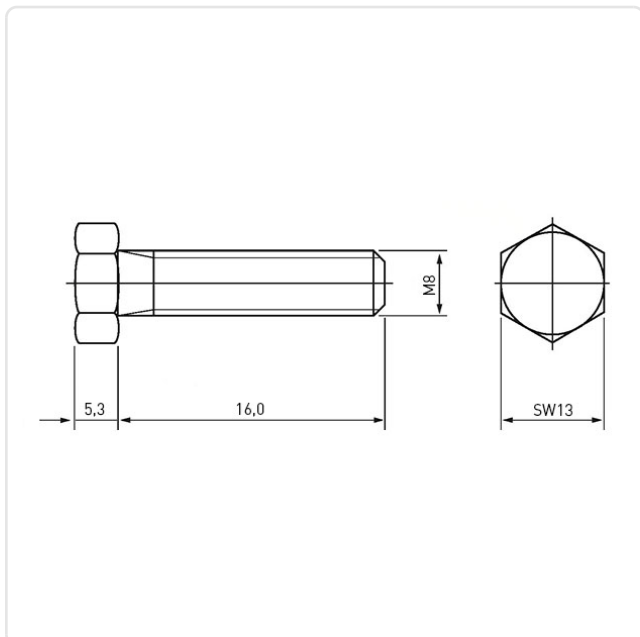
Article-No.: 001.13.861



Actuator Size:	Hexagon Hex13
DIN/ISO:	DIN933 / ISO4017
Drive Type:	Hexagon
Finish:	Galvanized, Blue, 5 µm, A2K
Head Diameter [mm]:	13
Head Height [mm]:	5.3
Head Shape:	Hexagon Head
Length [mm]:	16
Material:	Steel 8.8
Material Group:	Stahl
Thread Size:	M8
Weight:	10.33g
Conformities:	



Image may be similar



You can find all  
information on the web on  
our article detail page

Would you like individual advice?

We look forward to your email to [products@ettinger.de](mailto:products@ettinger.de).

Subject to change and errors.