

Article datasheet

## Countersunk Screw ISO7047 M3x8 A2 Plain Stainless Steel Cross Recessed

Article-No.: 001.12.332

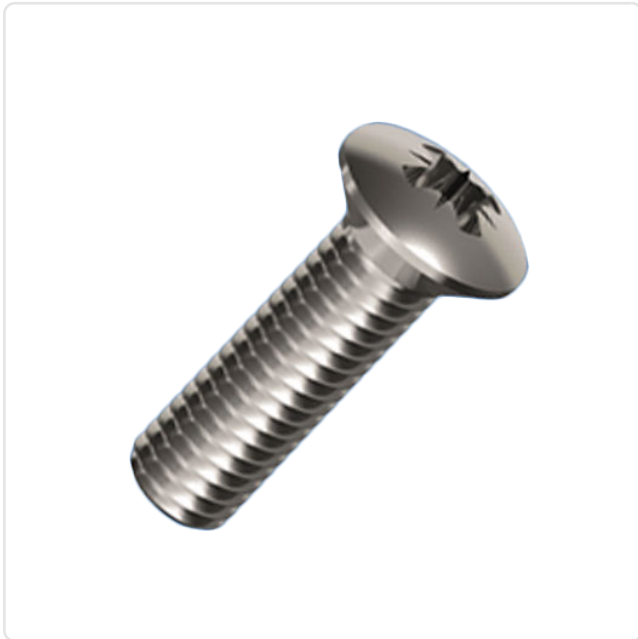
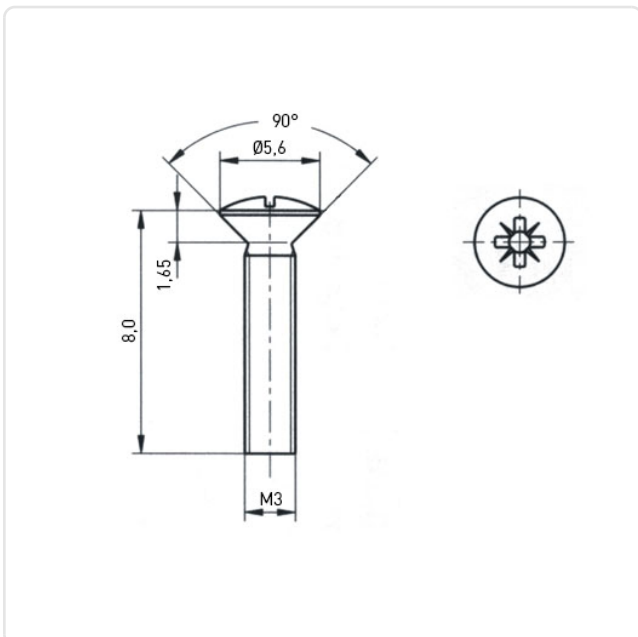


Image may be similar

Actuator Size:	Pozidriv PZ2
DIN/ISO:	DIN966 / ISO7047
Drive Type:	Cross Recess / Pozidriv-Z
Finish:	Plain
Head Diameter [mm]:	5.6
Head Height [mm]:	1.65
Head Shape:	Countersunk Head
Length [mm]:	8
Material:	Stainless Steel AISI 304 / A2
Material Group:	Stainless Steel
Thread Size:	M3
Weight:	0.47g
Conformities:	



You can find all  
information on the web on  
our article detail page

Would you like individual advice?

We look forward to your email to [products@ettinger.de](mailto:products@ettinger.de).

Subject to change and errors.