

Article datasheet

## Cage Nut M4 Panel Thk. Range 0.3-1.1mm A2 Plain Stainless Steel / Galv. Steel

Article-No.: 002.54.209

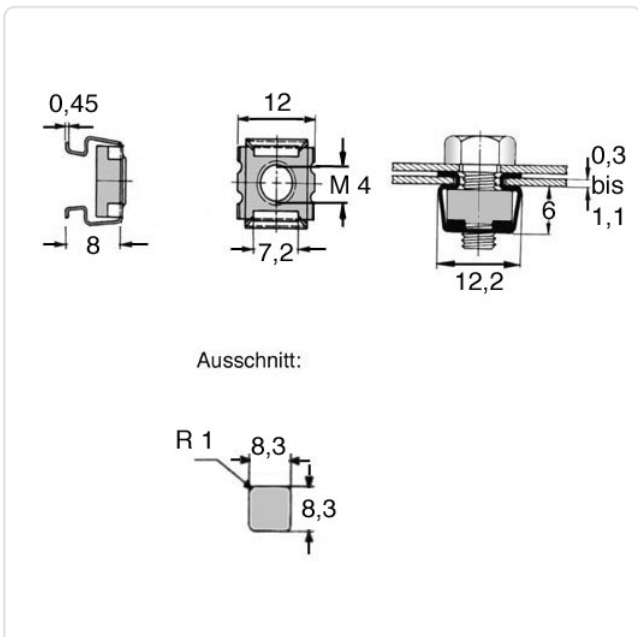


Image may be similar

Finish:	Plain Cage / Galvanized Nut
Height [mm]:	8
Material:	Käfig, rostfrei A2 / Mutter vzk
Material Group:	Steel
Panel Cutout [mm]:	8.3x8.3
Panel Thickness Range [mm]:	0,3-1,1
Thread Size:	M4
Weight:	3.59g
Conformities:	



You can find all information on the web on our article detail page



Would you like individual advice?

We look forward to your email to [products@ettinger.de](mailto:products@ettinger.de).

Subject to change and errors.