

Article datasheet

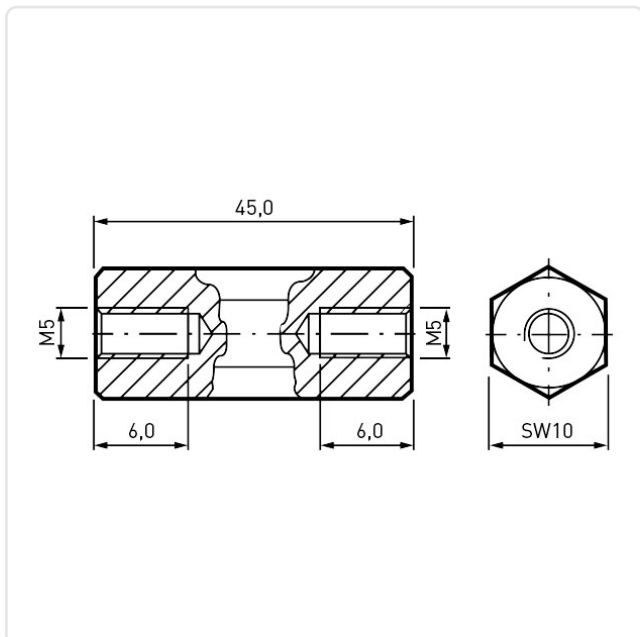
Insulated Standoff PA-Brass F/F AF10x45 | Thread M5x6 / M5x6

Article-No.: 005.57.545



Image may be similar

AF / OD [mm]: 10
Flammability Class: UL94-V2
Length [mm]: 45
Material: PA 6.6
Material Group: Plastic
Profile: Hexagonal
Thread 1 Length [mm]: 6
Thread 1 Size: M5
Thread 2 Length [mm]: 6
Thread 2 Size: M5
Thread Insert Material: Brass
Weight: 5.06g
Conformities:



You can find all
information on the web on
our article detail page

Would you like individual advice?

We look forward to your email to products@ettinger.de.

Subject to change and errors.