

Article datasheet

Flat Head Screw ISO7380-1 M6x18 A2 Plain ST STL Hex Socket Button Head

Article-No.: 082.94.692

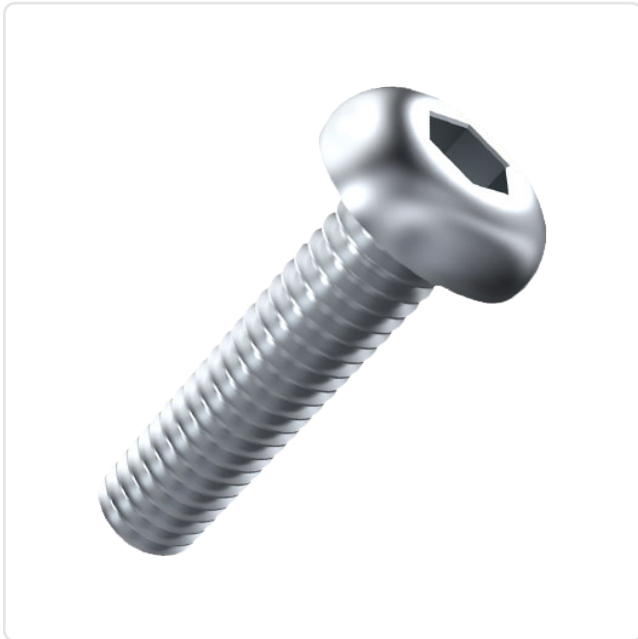
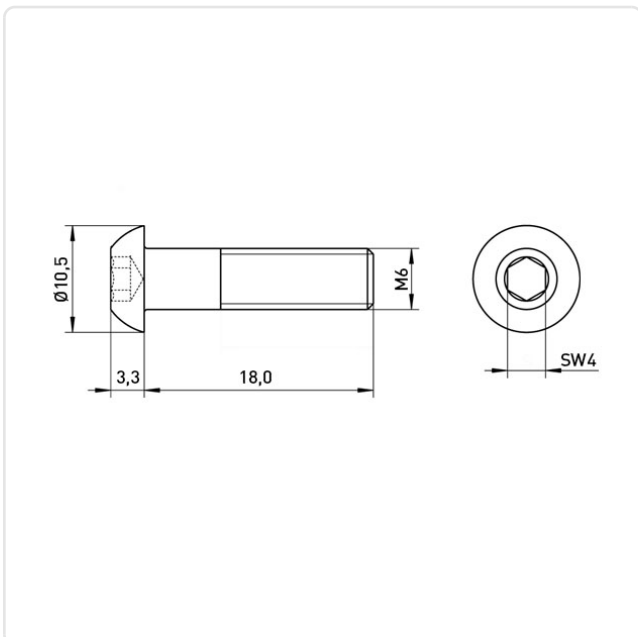


Image may be similar

Actuator Size:	Hexagon Socket Hex4
DIN/ISO:	ISO7380-1
Drive Type:	Hexagon Socket
Finish:	Plain
Head Diameter [mm]:	10.5
Head Height [mm]:	3.3
Head Shape:	Button Head
Length [mm]:	18
Material:	Stainless Steel AISI 304 / A2
Material Group:	Stainless Steel
Thread Size:	M6
Weight:	4.38g
Conformities:	



You can find all
information on the web on
our article detail page



Would you like individual advice?

We look forward to your email to products@ettinger.de.

Subject to change and errors.