

Article datasheet

## Knurled Thumb Screw M6x20 Polyamide GF black Vertical Knurl

Article-No.: 001.49.4220

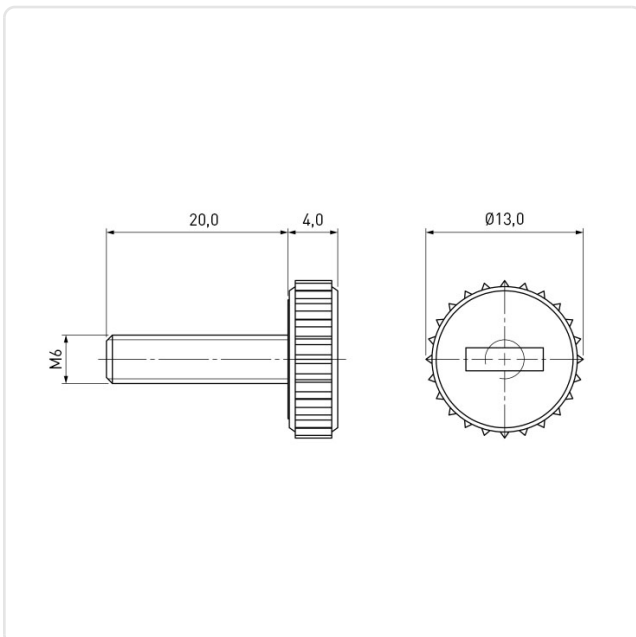


Image may be similar

Color:	Black
Drive Type:	Slotted
Head Diameter [mm]:	13
Head Height [mm]:	4
Head Shape:	Cheese Head
Knurling:	Vertical Knurl
Length [mm]:	20
Material:	PA 6.6 30% GF
Thread Size:	M6
Weight:	1.16g
Conformities:	



You can find all  
information on the web on  
our article detail page



Would you like individual advice?

We look forward to your email to [products@ettinger.de](mailto:products@ettinger.de).

Subject to change and errors.