

Article datasheet

## PCB Support 22.2 | ø4.8 Polyamide 6.6 natural

Article-No.: 006.17.722

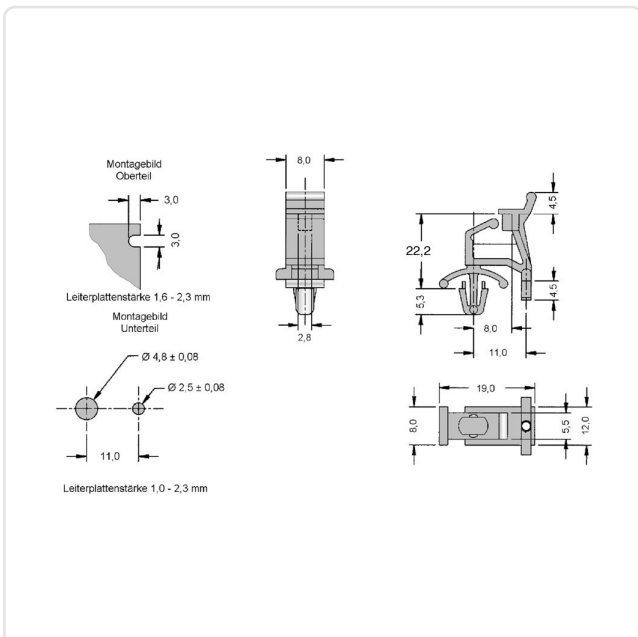


Image may be similar

Color:	Natural
Flammability Class:	UL94-V2
Length [mm]:	22.2
Material:	PA 6.6 UL94 V-2 E 70062 / RMS01
PCB Thickness [mm]:	1,6
Panel Hole Ø [mm]:	4.8
Panel Thickness [mm]:	1,0-2,3
Conformities:	<div style="display: flex; gap: 10px;"> <div style="border: 1px solid green; padding: 2px; text-align: center; color: green;">Reach COMPLIANT</div> <div style="border: 1px solid green; padding: 2px; text-align: center; color: green;">RoHS COMPLIANT</div> <div style="border: 1px solid green; padding: 2px; text-align: center; color: green;">SVHC COMPLIANT</div> </div>



You can find all information on the web on our article detail page



Would you like individual advice?

We look forward to your email to [products@ettinger.de](mailto:products@ettinger.de).

Subject to change and errors.