

Article datasheet

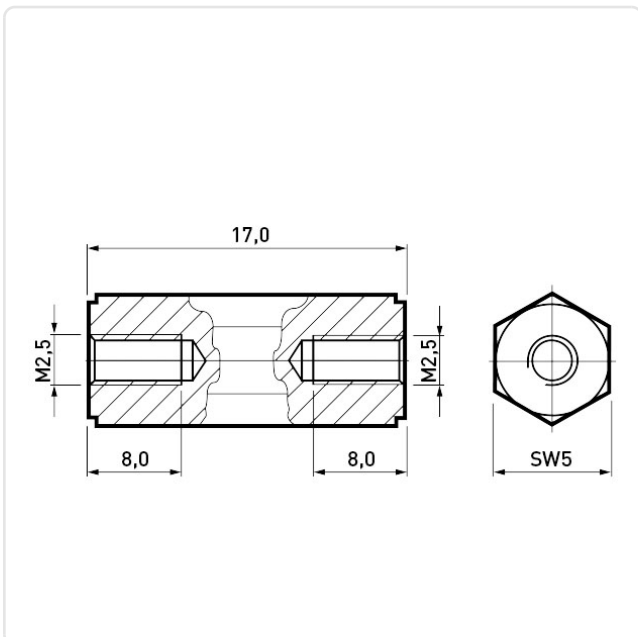
Standoff Polyamide 6.0 Black F/F AF5x17 | Thread M2.5x8 / M2.5x8

Article-No.: 005.30.217



Image may be similar

AF / OD [mm]:	5
Color:	Black
Flammability Class:	UL94-HB
Length [mm]:	17
Material:	PA 6.0 25% GF
Material Group:	Plastic
Profile:	Hexagonal
Thread 1 Length [mm]:	8
Thread 1 Size:	M2.5
Thread 2 Length [mm]:	8
Thread 2 Size:	M2.5
Weight:	0.36g
Conformities:	



You can find all
information on the web on
our article detail page

Would you like individual advice?

We look forward to your email to products@ettinger.de.

Subject to change and errors.