

Article datasheet

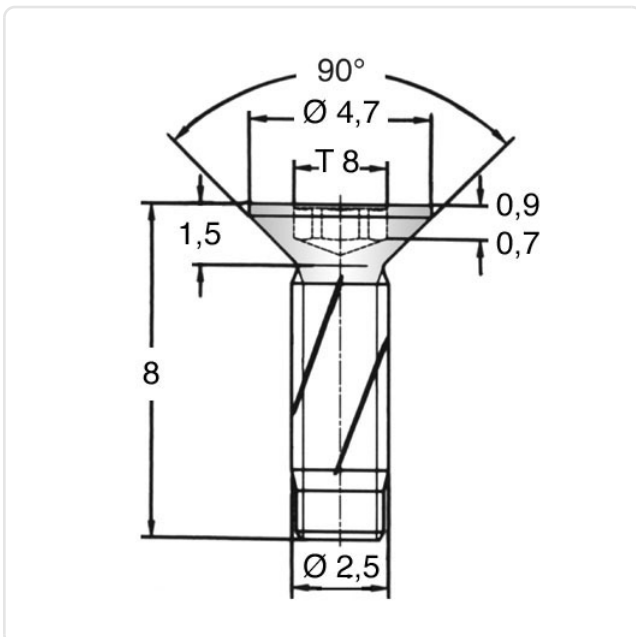
Thread Forming Screw DIN7500M M2.5x8 Galv. Steel Case Hardened Torx CSK

Article-No.: 001.36.231



Image may be similar

| | |
|---------------------|-----------------------------|
| Actuator Size: | Torx T8 |
| DIN/ISO: | DIN7500-M |
| Drive Type: | TORX |
| Finish: | Galvanized, Blue, 5 µm, A2K |
| Head Diameter [mm]: | 4.7 |
| Head Height [mm]: | 1.5 |
| Head Shape: | Countersunk Head |
| Length [mm]: | 8 |
| Material: | Case-Hardened Steel |
| Material Group: | Steel |
| Thread Size: | M2.5 |
| Thread Type: | Metric |
| Weight: | 0.28g |
| Conformities: | |



You can find all information on the web on our article detail page

Would you like individual advice?

We look forward to your email to products@ettinger.de.

Subject to change and errors.