

Article datasheet

Hole Plug $\varnothing 10/12 \times 4$ mm polyethylene, black (RAL 9005)

Article-No.: 014.14.910

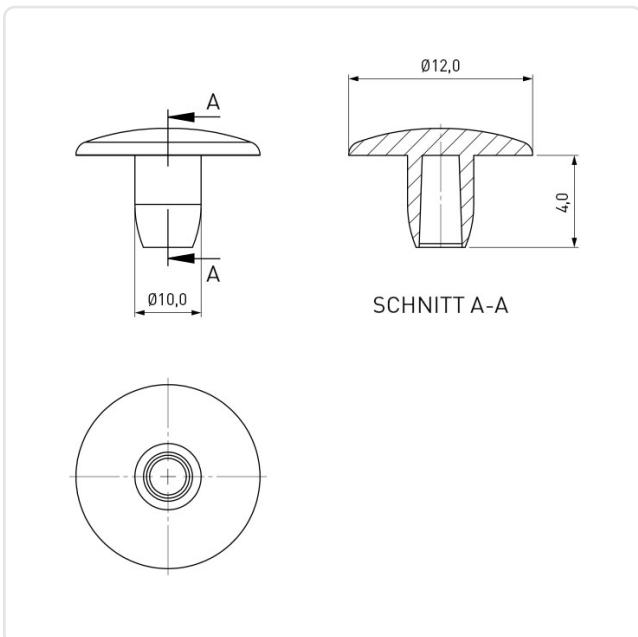


Image may be similar

Color: Black
Inner Diameter [mm]: 10
Material: PE - Polyethylene
Material Group: Plastic
Model: Hole Plug
Outer Diameter [mm]: 12
Weight: 0.26g
Conformities:



You can find all
information on the web on
our article detail page



Would you like individual advice?

We look forward to your email to products@ettinger.de.

Subject to change and errors.