

Article datasheet

Flat Caps for Knobs \varnothing 20mm ABS black

Article-No.: 041.20.000

Manufacturer: OKW Gehäusesysteme

Manufacturer article-no.: A41.20.000

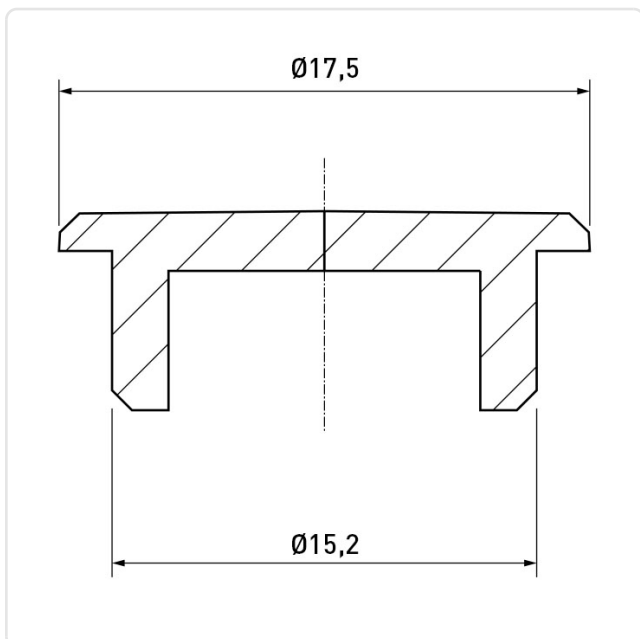


Image may be similar

Color: Black
Material: ABS
Material Group: Plastic
Model: Cap for Combination Knob
Outer Diameter [mm]: 17.5
Weight: 0.37g
Conformities:



You can find all information on the web on our article detail page



Would you like individual advice?

We look forward to your email to products@ettinger.de.

Subject to change and errors.