

Article datasheet

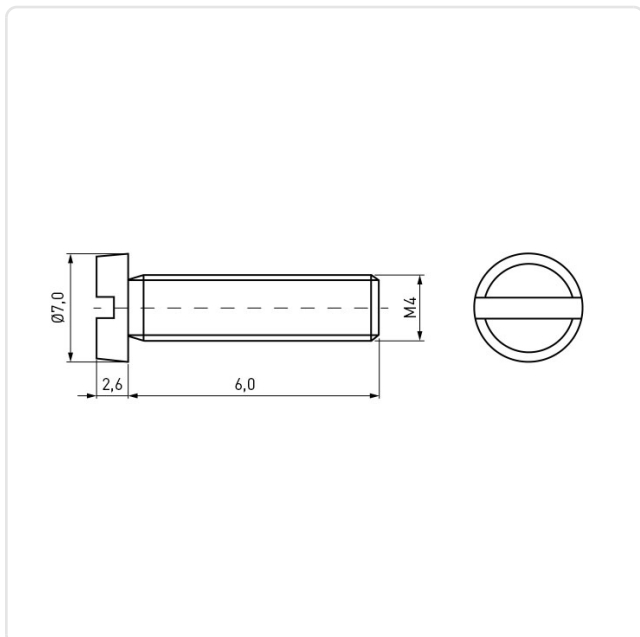
## Cheese Head Screw ISO1207 M4x6 PVDF Natural Slotted

Article-No.: 001.44.428



Image may be similar

Color:	Natural
DIN/ISO:	DIN84 / ISO1207
Drive Type:	Slotted
Flammability Class:	UL94-V0
Head Diameter [mm]:	7
Head Height [mm]:	2.6
Head Shape:	Cheese Head
Length [mm]:	6
Material:	PVDF - Polyvinylidene Fluoride
Material Group:	Plastic
Thread Size:	M4
Weight:	0.24g
Conformities:	



You can find all  
information on the web on  
our article detail page

Would you like individual advice?

We look forward to your email to [products@ettinger.de](mailto:products@ettinger.de).

Subject to change and errors.