

Article datasheet

Countersunk Screw ISO7046 M3x5 A4 Plain Stainless Steel Cross Recessed

Article-No.: 001.12.319

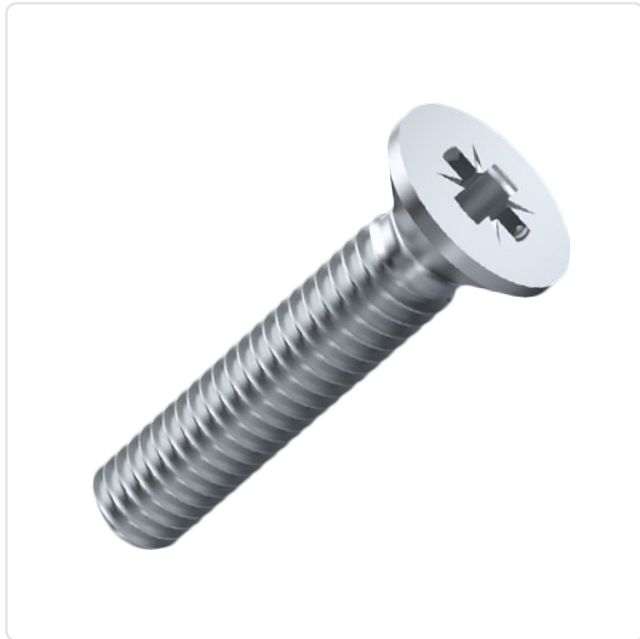
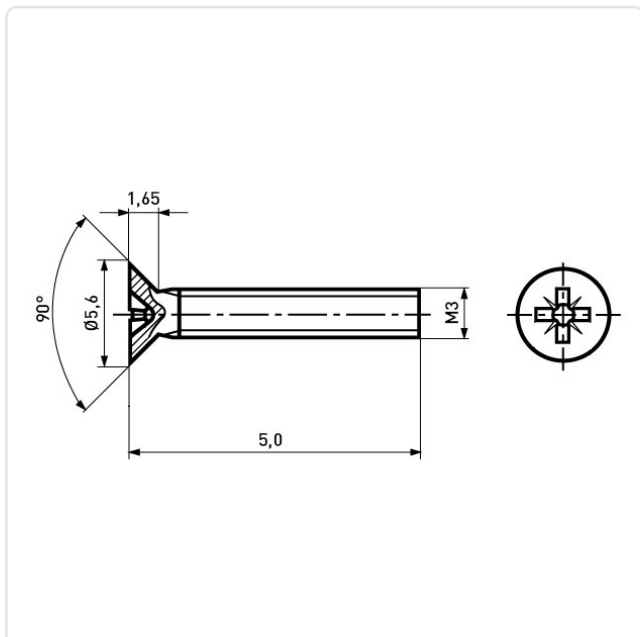


Image may be similar

Actuator Size:	Pozidriv PZ1
DIN/ISO:	DIN965 / ISO7046
Drive Type:	Cross Recess / Pozidriv-Z
Finish:	Plain
Head Diameter [mm]:	5.6
Head Height [mm]:	1.65
Head Shape:	Countersunk Head
Length [mm]:	5
Material:	Stainless Steel AISI 316 / A4
Material Group:	Stainless Steel
Thread Size:	M3
Weight:	0.35g
Conformities:	



You can find all
information on the web on
our article detail page

Would you like individual advice?

We look forward to your email to products@ettinger.de.

Subject to change and errors.