

Article datasheet

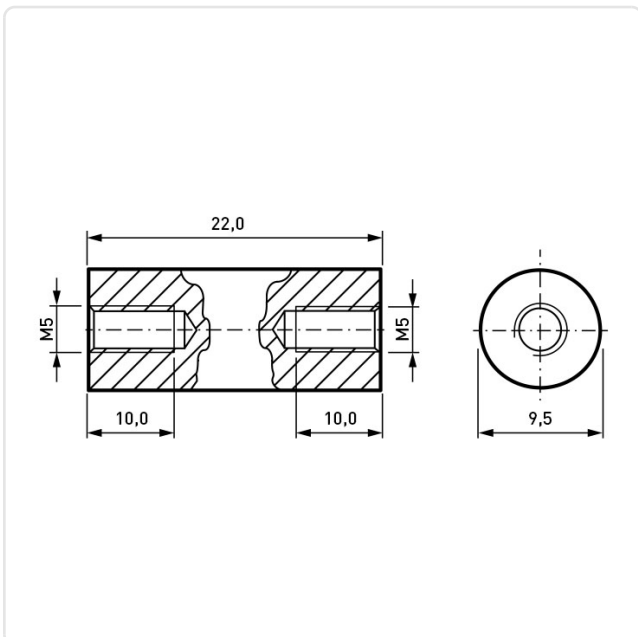
Insulated Standoff PA-Brass F/F $\varnothing 9.5 \times 22$ | Thread M5x10 / M5x10

Article-No.: 005.48.522



Image may be similar

AF / OD [mm]: 9.5
Flammability Class: UL94-HB
Length [mm]: 22
Material: PA 6.6
Material Group: Plastic
Profile: Round
Thread 1 Length [mm]: 10
Thread 1 Size: M5
Thread 2 Length [mm]: 10
Thread 2 Size: M5
Thread Insert Material: Brass
Weight: 3.19g
Conformities:



You can find all
information on the web on
our article detail page

Would you like individual advice?

We look forward to your email to products@ettinger.de.

Subject to change and errors.