

Article datasheet

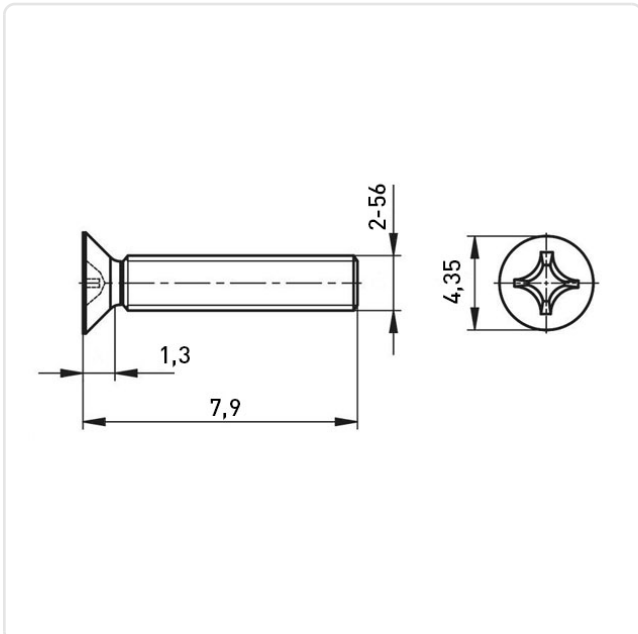
## UNC Bolt UNC2-56 x 7.9 A2 Plain ST STL Cross Recessed CSK

Article-No.: 001.62.232



Image may be similar

Actuator Size:	Phillips PH1
Drive Type:	Cross Recess / Phillips-H
Finish:	Plain
Head Diameter [mm]:	4.1
Head Height [mm]:	1.3
Head Shape:	Countersunk Head
Length [mm]:	7.9
Material:	Stainless Steel AISI 304 / A2
Material Group:	Stainless Steel
Thread Size:	UNC2-56
Weight:	0.18g
Conformities:	



You can find all information on the web on our article detail page

Would you like individual advice?

We look forward to your email to [products@ettinger.de](mailto:products@ettinger.de).

Subject to change and errors.