

Article datasheet

## Diecast Aluminium Enclosures

Article-No.: 097.05.121

Manufacturer: Hammond

Manufacturer article-no.: 1590BFL

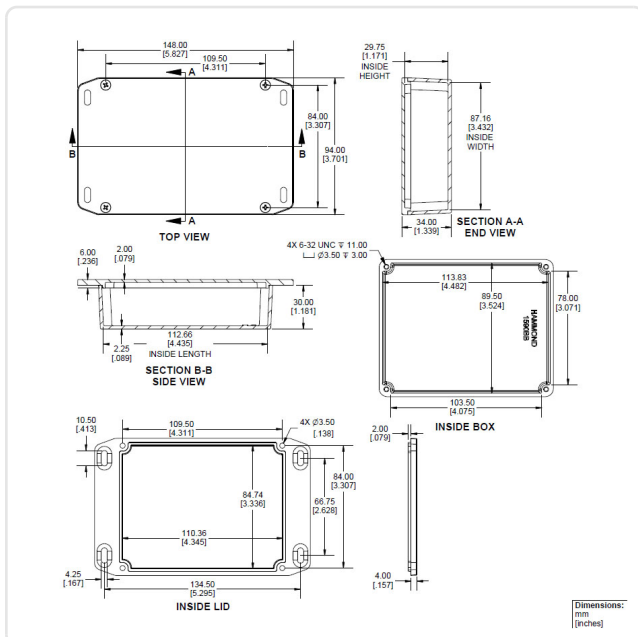


Image may be similar

Height [mm]: 27  
 Length [mm]: 111.5  
 Material: Aluminium  
 Material Group: Aluminium  
 Protection Code: IP54  
 Width [mm]: 59  
 Weight: 147g  
 Conformities:



You can find all information on the web on our article detail page



Would you like individual advice?

We look forward to your email to [products@ettinger.de](mailto:products@ettinger.de).

Subject to change and errors.