

Article datasheet

PCB Support 9.5 | $\varnothing 4.0$ Polyamide 6.6 natural

Article-No.: 006.07.126

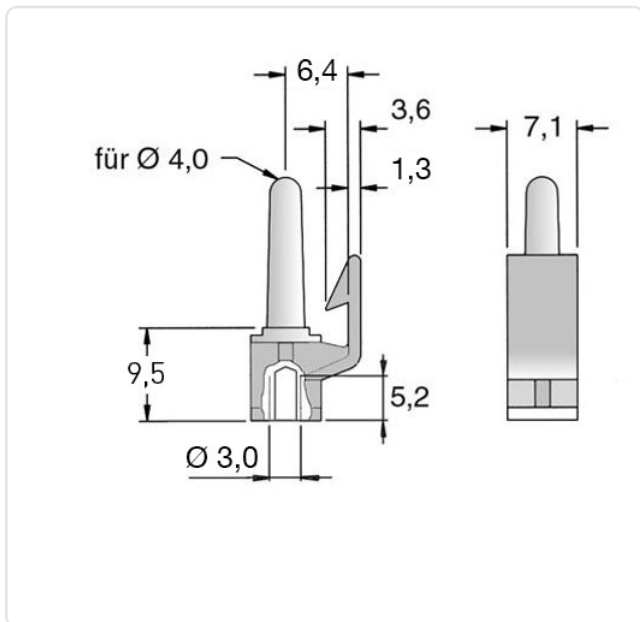


Image may be similar

Color:	Natural
Flammability Class:	UL94-V2
Length [mm]:	9.5
Material:	PA 6.6 UL94 V-2 E 70062 / RMS01
PCB Hole \varnothing [mm]:	4
PCB Thickness [mm]:	1,6
Panel Hole \varnothing [mm]:	3
Weight:	0.66g
Conformities:	



You can find all information on the web on our article detail page



Would you like individual advice?

We look forward to your email to products@ettinger.de.

Subject to change and errors.