

Article datasheet

Countersunk Screw ISO7047 M8x12 A2 Plain Stainless Steel Cross Recessed

Article-No.: 001.12.852

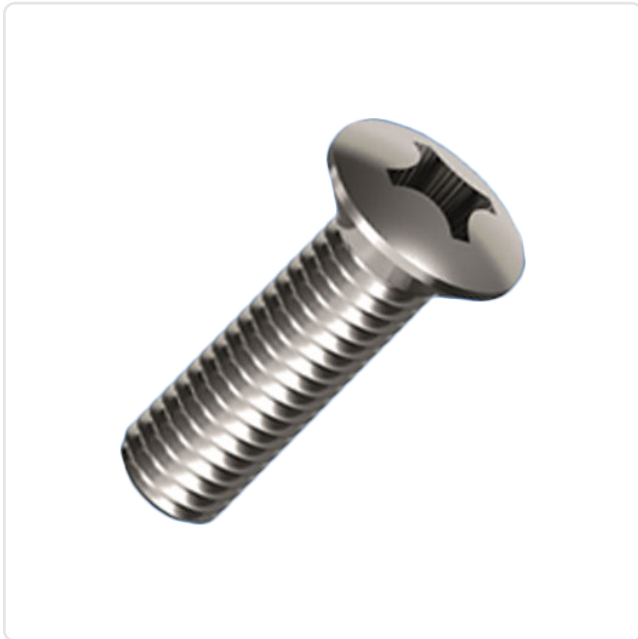
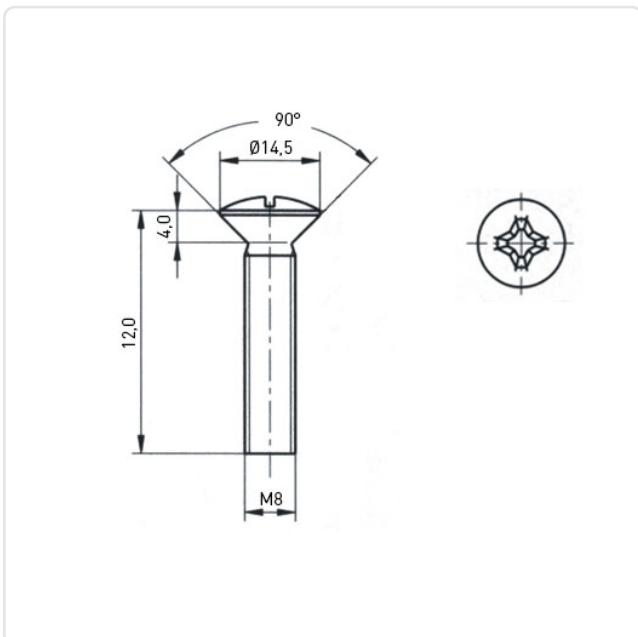


Image may be similar

Actuator Size:	Phillips PH4
DIN/ISO:	DIN966 / ISO7047
Drive Type:	Cross Recess / Phillips-H
Finish:	Plain
Head Diameter [mm]:	14.5
Head Height [mm]:	4
Head Shape:	Countersunk Head
Length [mm]:	12
Material:	Stainless Steel AISI 304 / A2
Material Group:	Stainless Steel
Thread Size:	M8
Weight:	6.8g
Conformities:	



You can find all
information on the web on
our article detail page

Would you like individual advice?

We look forward to your email to products@ettinger.de.

Subject to change and errors.