

Article datasheet

Ceramic Soldering Strip 3-pole with solder eyes and M3 thread insert

Article-No.: 013.82.803

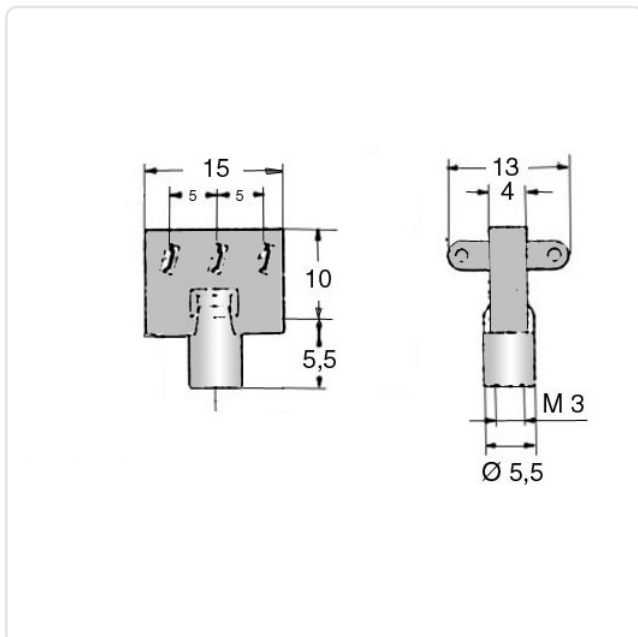


Image may be similar

Diameter [mm]: 5.5
Finish: Tin-Plated
Length [mm]: 15
Material: Ceramic C221
Material Group: Keramik
PCB Hole Ø [mm]: 3.2
Weight: 3g
Conformities:



You can find all information on the web on our article detail page



Would you like individual advice?

We look forward to your email to products@ettinger.de.

Subject to change and errors.