

Article datasheet

Long Nut M8 DIN6334 A4 Stainless Steel AF 13x24 / M8

Article-No.: 002.20.089

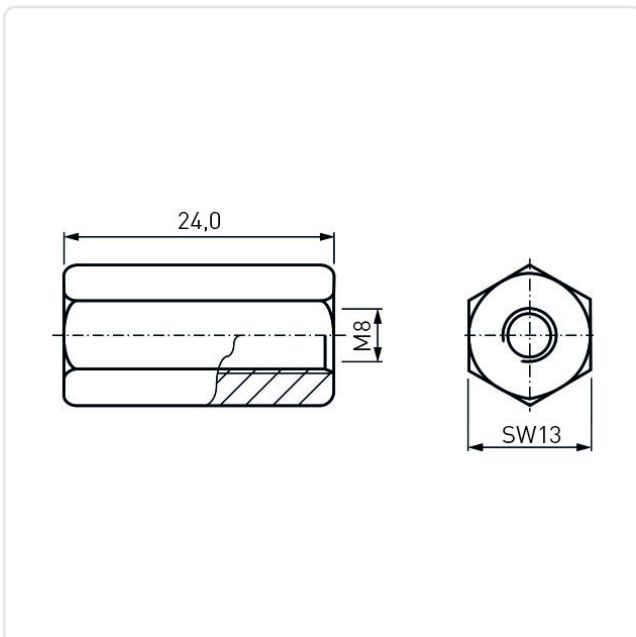


Image may be similar

DIN/ISO: DIN6334
Finish: Plain
Length [mm]: 24
Material: Stainless Steel A4 / AISI 316
Material Group: Stainless Steel
Thread Size: M8
Weight: 19.56g
Conformities:



You can find all
information on the web on
our article detail page



Would you like individual advice?

We look forward to your email to products@ettinger.de.

Subject to change and errors.